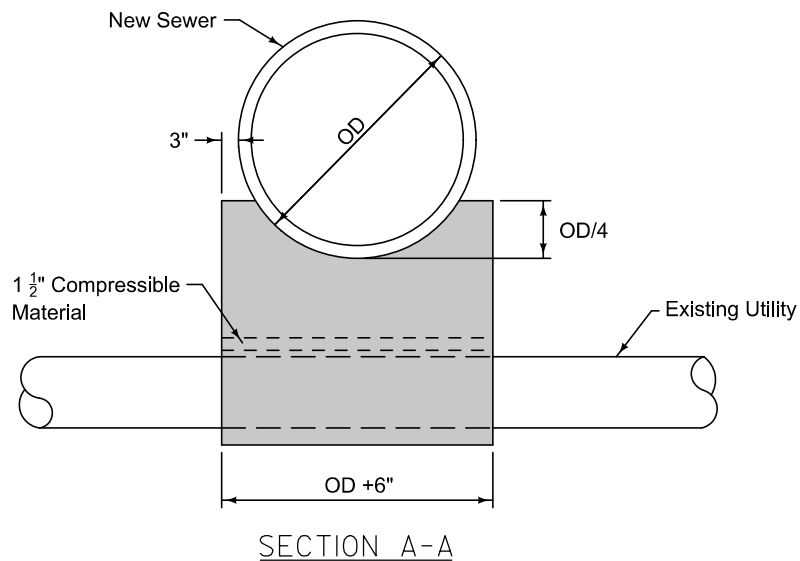



Install pipe support for all new sewers 12 inches in diameter or larger when clearance between bottom of new sewer and top of existing line is 12 inches or less.

- ① Comply with Figure 3010.101.
- ② Form interior surface of footings. Keep the 12 inch utility clear zone free of concrete.

OD = Outside pipe diameter



SECTION A-A

	REVISION
	1 10-21-14
	3010.901
SHEET 1 of 1	
SUDAS Standard Specifications	
SEWER PIPE SUPPORT OVER EXISTING UTILITY LINE	