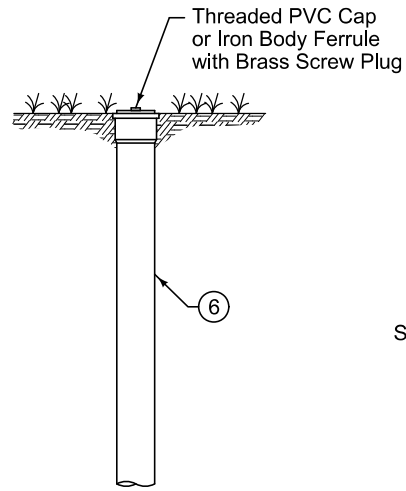
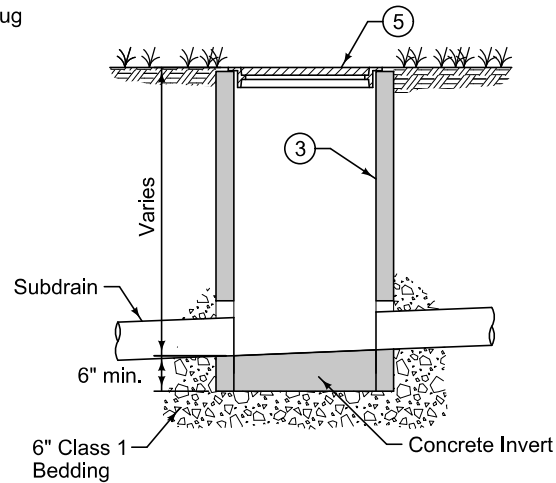


TYPE A-1 CLEANOUT

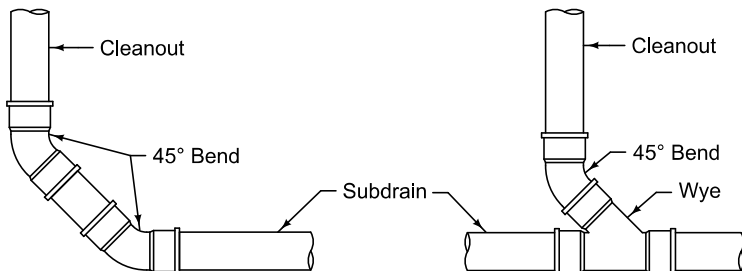


TYPE A-2 CLEANOUT
(Non-traffic areas only)

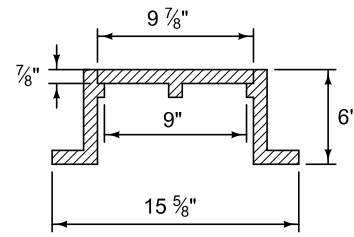


TYPE B CLEANOUT
(Non-traffic areas only)

- ① Light duty casting. Label lid with "Storm" or "Storm C.O."
- ② Do not allow casting to bear on top of riser pipe; provide 2 inch clearance, minimum.
- ③ A manufactured cleanout may be used in lieu of a Type B cleanout, if approved by the Engineer.
- ④ Design is intended for use in conjunction with 8 inch PVC riser pipe. Other sized caps may be used with smaller pipe, as approved by the Engineer.
- ⑤ Provide Type G casting, as required to fit pipe size.
- ⑥ PVC riser pipe; match diameter of subdrain (8 inches maximum).



TYPE A CLEANOUT CONNECTIONS



DETAIL A ① ④
(Dimensions are nominal)

	REVISION	2	10-18-16
	SUDAS 4040.232		
	SHEET 1 of 1		

SUDAS Standard Specifications

SUBDRAIN CLEANOUTS