

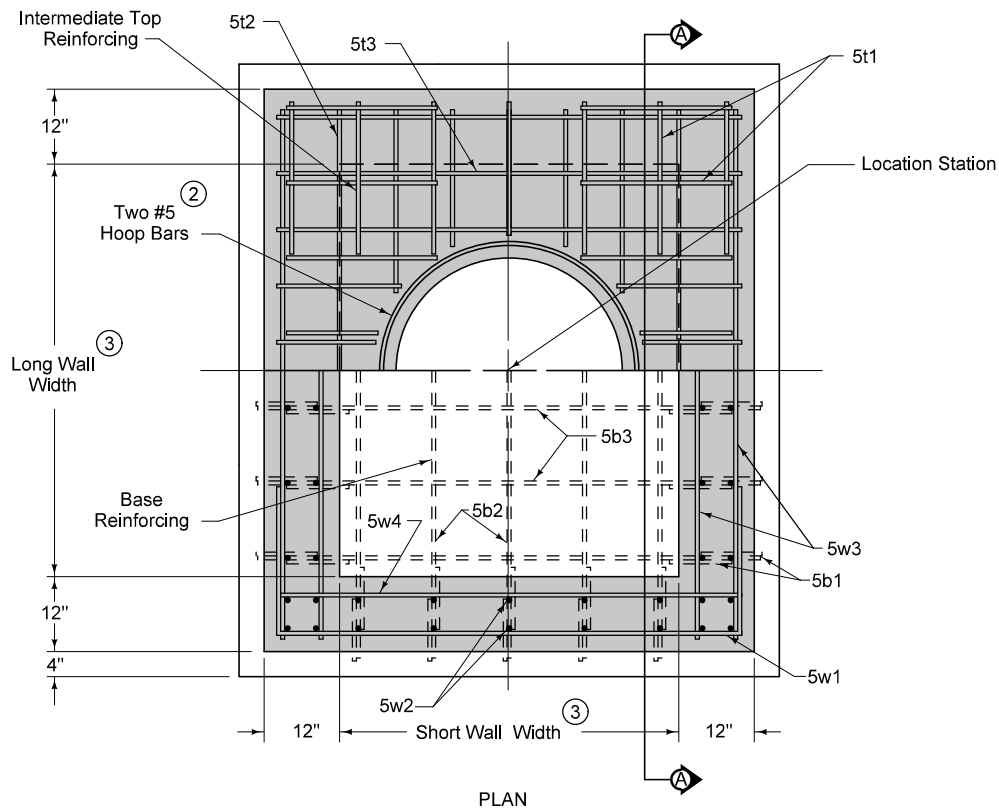
Adjacent walls may have different widths based upon pipe configuration, but structure must be rectangular.

- ① Cast-in-place base shown. If base is precast integral with walls, the footprint of the base is not required to extend beyond the outer edge of the walls.
- ② Provide two #5 hoop bars at intermediate top opening and at all pipe openings.
- ③ Wall widths vary with pipe diameter and range from 4 feet minimum to 12 feet maximum. Provide 12 inches of wall width (minimum) each side of pipe opening.
- ④ 12 inch minimum wall height above all pipe openings.

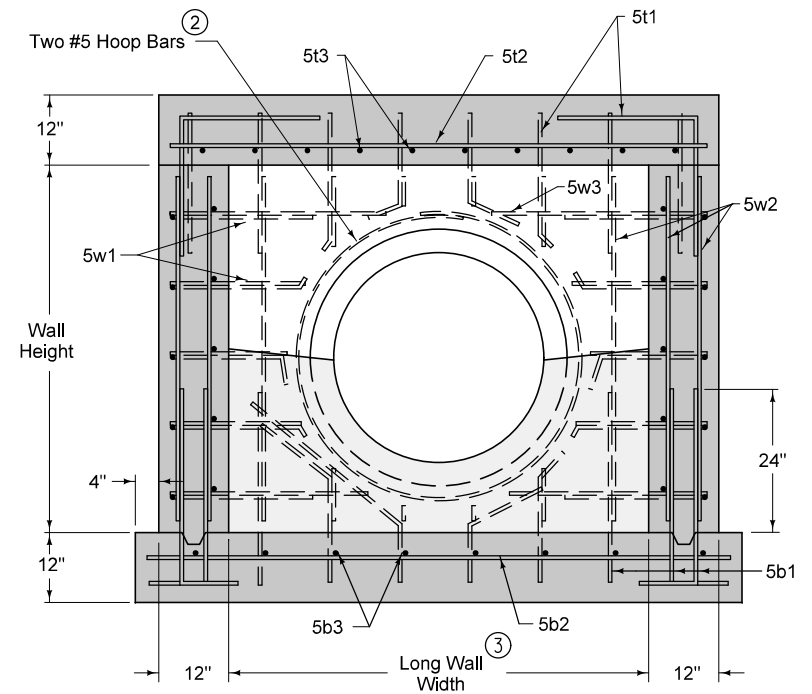
TYPICAL SECTION

FIGURE 6010.304 SHEET 1 OF 2

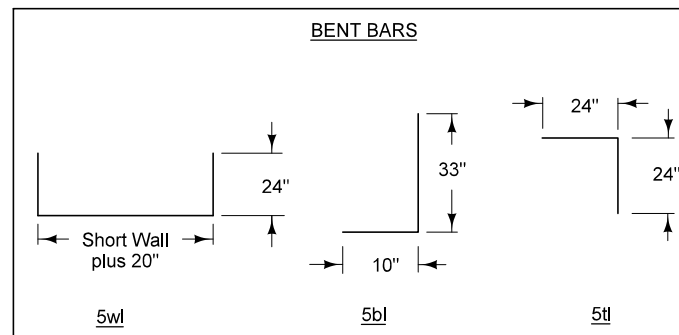
SUDAS	IOWADOT	REVISION
		2 04-17-18
FIGURE 6010.304	STANDARD ROAD PLAN	SW-304
		SHEET 1 of 2
REVISIONS: Replaced Iowa DOT and SUDAS logos. Changed "Invert" to "Concrete Fillet".		
Paul D. Wigand SUDAS DIRECTOR		Brian Smith DESIGN METHODS ENGINEER
RECTANGULAR BASE/ CIRCULAR TOP SANITARY SEWER MANHOLE		



- ② Provide two #5 hoop bars at intermediate top opening and at all pipe openings.
- ③ Wall widths vary with pipe diameter and range from 4 feet minimum to 12 feet maximum. Provide 12 inches of wall opening (minimum) each side of pipe opening.



REINFORCING BAR LIST					
Mark	Size	Location	Shape	Length	Spacing
5t1	5	Top		48"	12"
5t2	5	Top		Long Wall plus 20"	9"
5t3	5	Top		Short Wall plus 20"	9"
5t4	5	Top		8"	12"
5b1	5	Base		43"	12"
5b2	5	Base		Long Wall plus 26"	12"
5b3	5	Base		Short Wall plus 26"	12"
5w1	5	Top		Short Wall plus 68"	12"
5w2	5	Top		Wall Height minus 4"	12"
5w3	5	Top		Long Wall plus 20"	12"
5w4	5	Top		Short Wall plus 20"	12"



SUDAS IOWADOT	REVISION	2	04-17-18
	FIGURE 6010.304	STANDARD ROAD PLAN	SW-304
REVISIONS: Replaced Iowa DOT and SUDAS logos. Changed "Invert" to "Concrete Fflet".			
Paul D. Wigand SUDAS DIRECTOR		Brian Smith DESIGN METHODS ENGINEER	
RECTANGULAR BASE/ CIRCULAR TOP SANITARY SEWER MANHOLE			

FIGURE 6010.304 SHEET 2 OF 2