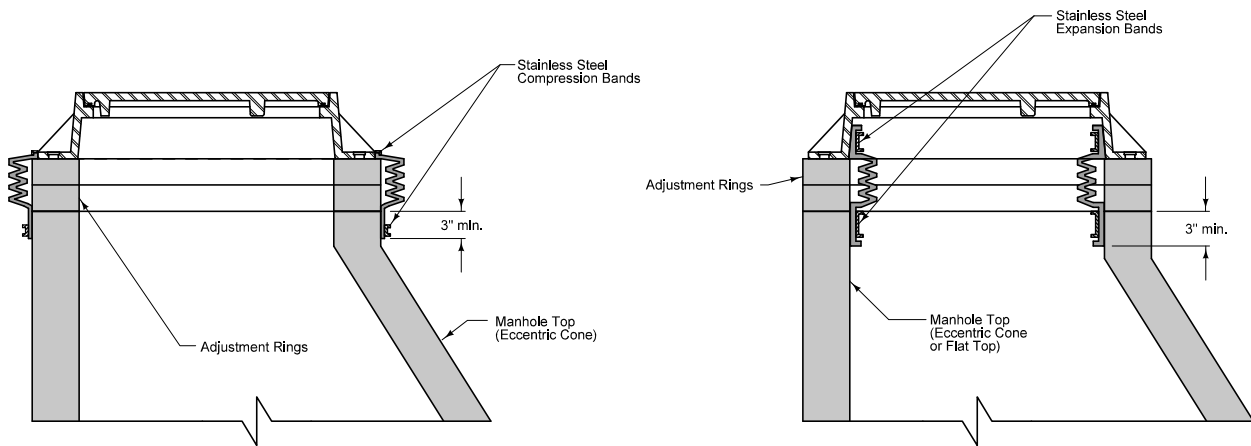


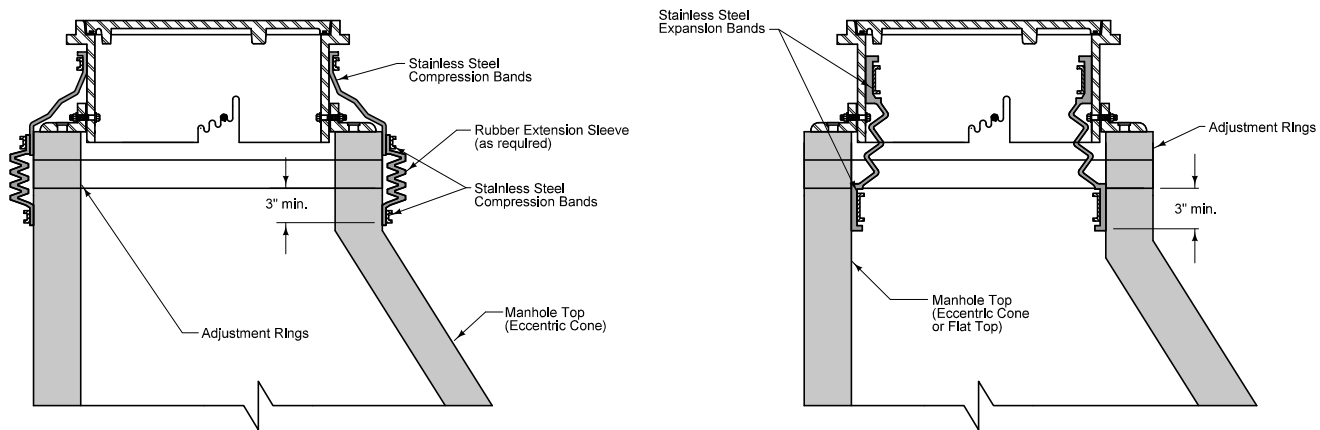
CHIMNEY SEALS FOR 2-PIECE CASTINGS



EXTERNAL SEAL

INTERNAL SEAL

CHIMNEY SEALS FOR 3-PIECE CASTINGS



EXTERNAL SEAL

INTERNAL SEAL

FIGURE 6010.306 SHEET 1 OF 1

SUDAS	IOWADOT	REVISION
		1 04-21-15
FIGURE 6010.306	STANDARD ROAD PLAN	SW-306
		SHEET 1 of 1

REVISIONS: Revised 3-piece casting configuration.

Paul D. Wigand SUDAS DIRECTOR
 Brian Smith DESIGN METHODS ENGINEER

CHIMNEY SEALS FOR
SANITARY SEWER MANHOLES