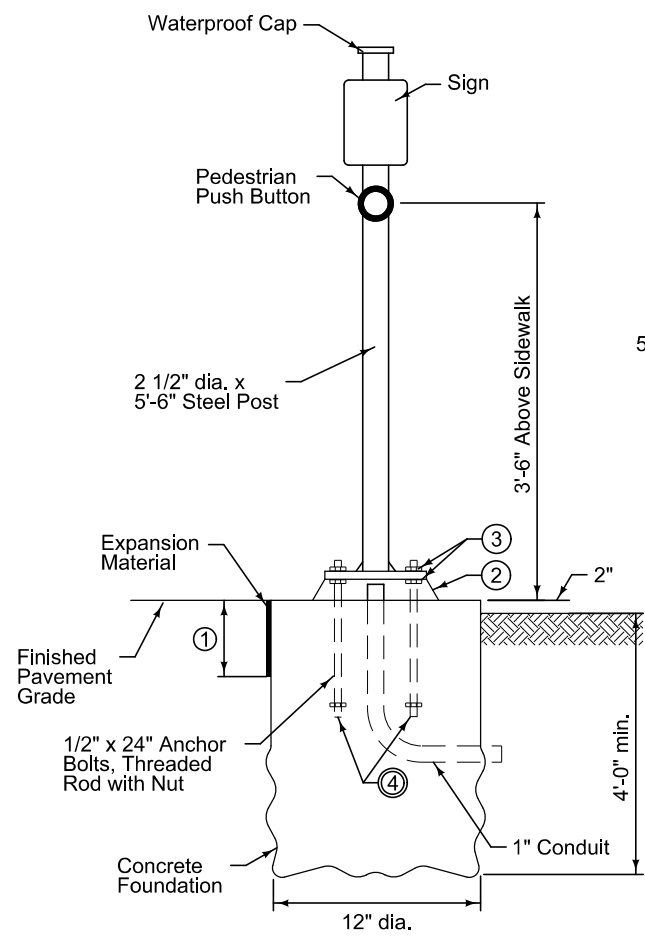
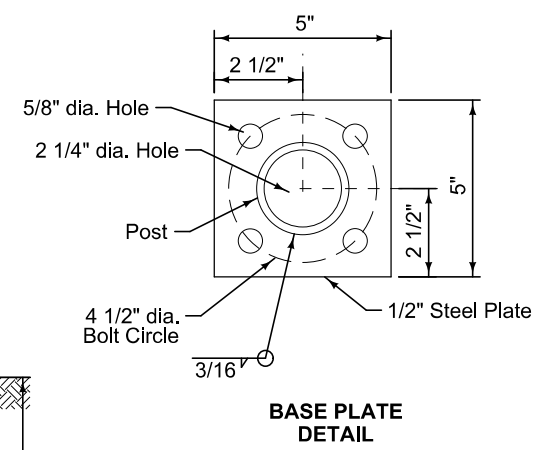


PEDESTAL POLE



PEDESTRIAN PUSH BUTTON POST AND FOUNDATION

- ① Shape top 11 inches with forms.
- ② Install rodent guard or non-shrink grout with weep hole.
- ③ Provide 1/2 inch diameter hex nut with 1 1/2 inch flat washer. Protect anchor bolt with nut cover.
- ④ Deform threads to prevent nut from backing off.



	REVISION	2	10-18-16
	<p>SUDAS</p> <p>8010.106</p>		
	<p>SHEET 1 of 1</p>		

SUDAS Standard Specifications

PEDESTAL POLE AND PEDESTRIAN POST DETAILS