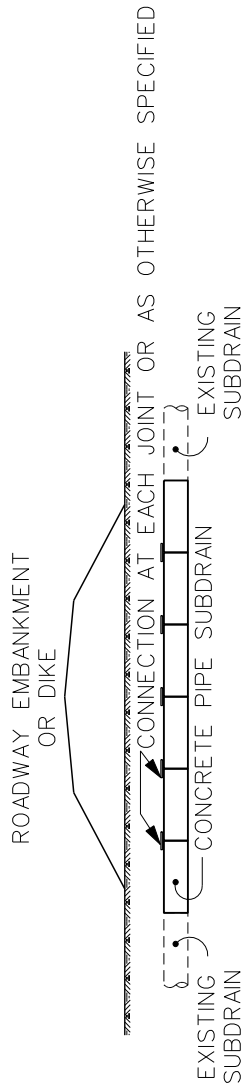
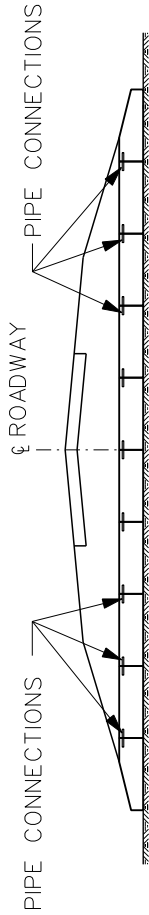


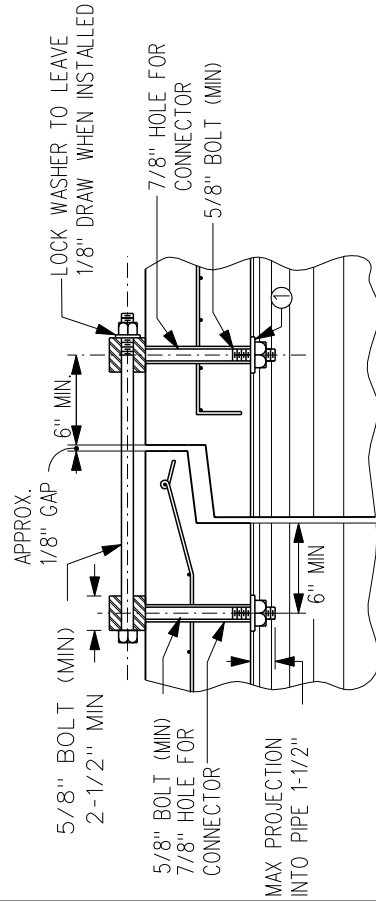
THIS IS AN ARCHIVED FIGURE AND IS NO LONGER MAINTAINED AS PART OF THE SUDAS STANDARD SPECIFICATIONS. THIS FIGURE MAY CONFLICT WITH THE CURRENT SPECIFICATIONS, AND SECTION AND FIGURE REFERENCES MAY NO LONGER BE VALID.



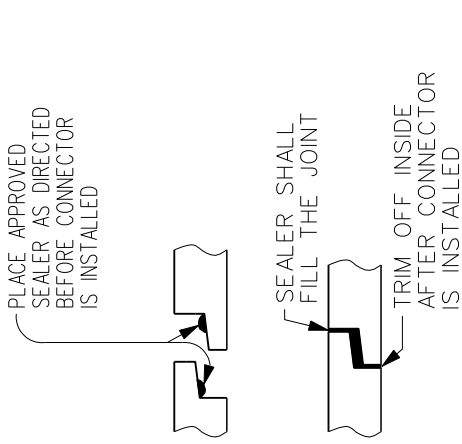
TYPICAL INSTALLATION WRAPPED PIPE JOINT (SEALED JOINT NOT REQUIRED)



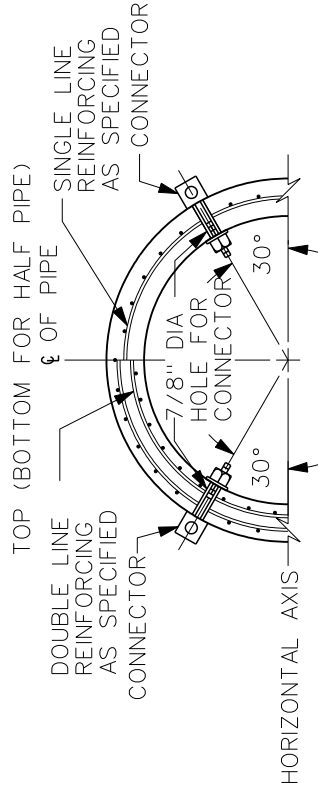
TYPICAL INSTALLATION NEW CONSTRUCTION



SECTION OF TYPICAL PIPE CONNECTOR (CONCRETE PIPE TO CONCRETE PIPE)



DETAILS OF SEALED JOINT (TYPE 2 CONNECTION ONLY)



TYPICAL SECTION PIPE CONNECTION

THE PIPE CONNECTION SHALL BE INSTALLED AS SHOWN WITH TWO (2) CONNECTORS NEAR THE TOP OF THE PIPE SECTION. ALL JOINTS SHALL BE SEALED UNLESS A WRAPPED PIPE JOINT IS SPECIFIED. THE SEAL SHALL BE OF A TYPE THAT MEETS THE REQUIREMENTS OF SECTION 4020, 3.04

- ① 1-3/4" DIAMETER X 9/64" THICK WASHER OR 3" X 3" X 1/4" SQUARE PLATE (SHAPED TO PIPE RADIUS).