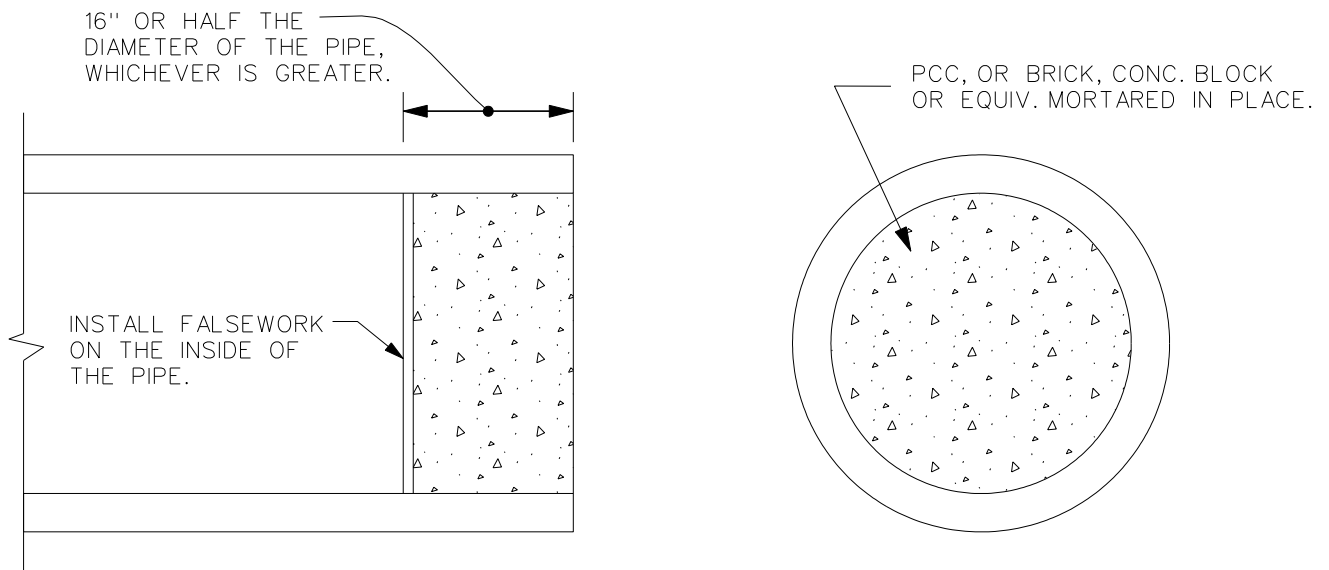
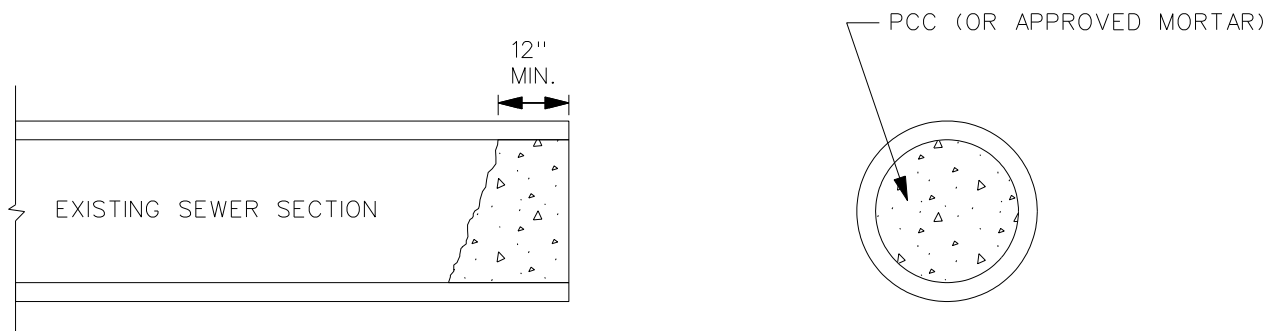


THIS IS AN ARCHIVED FIGURE AND IS NO LONGER MAINTAINED AS PART OF THE SUDAS STANDARD SPECIFICATIONS. THIS FIGURE MAY CONFLICT WITH THE CURRENT SPECIFICATIONS, AND SECTION AND FIGURE REFERENCES MAY NO LONGER BE VALID.



STANDARD SEWER PLUG
FOR PLUGGING EXISTING SEWER (OVER 18" DIA.).



STANDARD SEWER PLUG
FOR PLUGGING EXISTING SEWER (18" AND SMALLER).