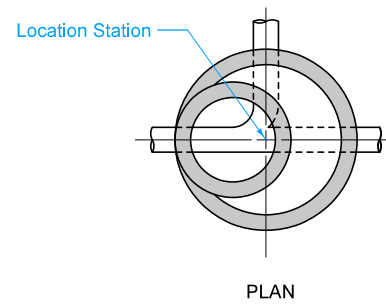
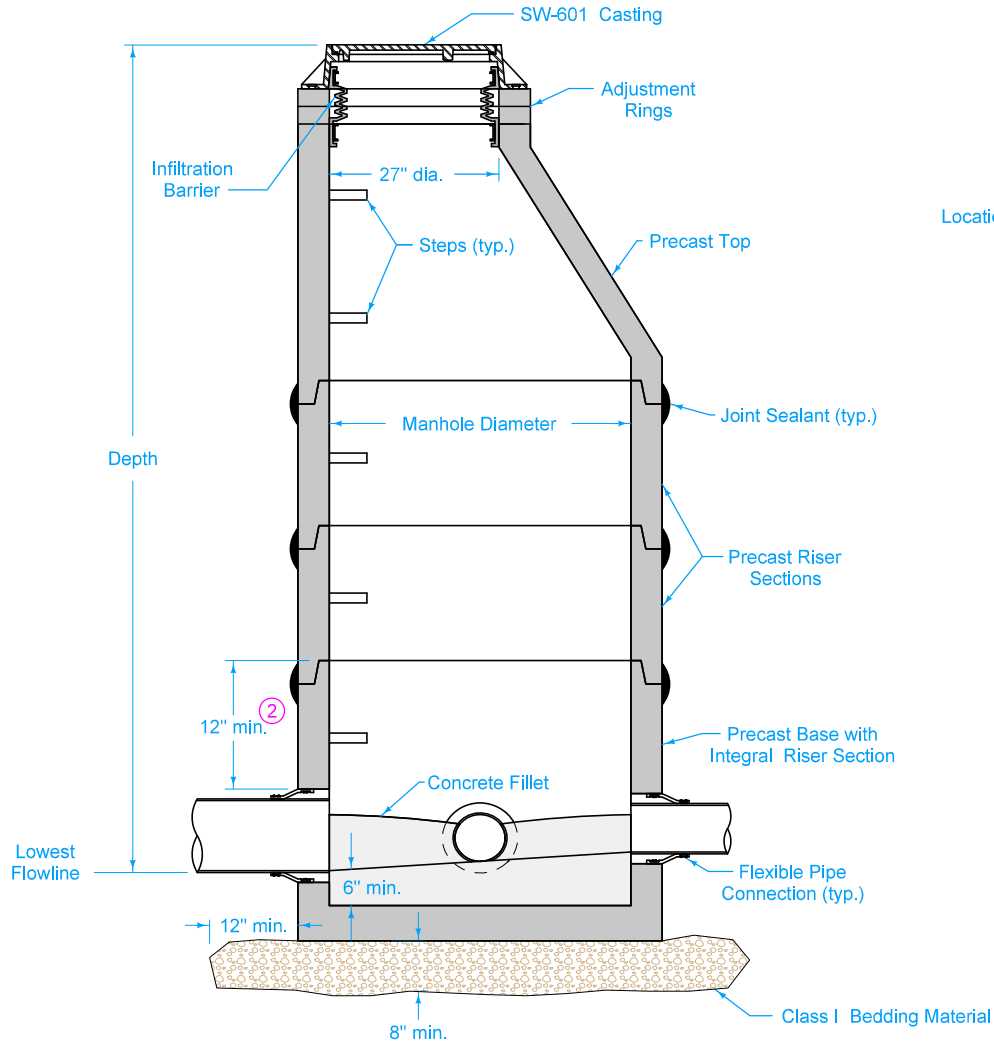


- ① For additional configurations, maintain a minimum of 12 inches of concrete between vertical edges of pipe openings.
- ② 12 inch minimum riser height above all pipe openings.



Manhole Diameter (inches)	Maximum Pipe Diameter (inches) for 2 Pipes ①	
	At 180° Separation	At 90° Separation
48	24	18
60	36	24
72	42	30
84	48	36
96	60	42

TYPICAL SECTION

FIGURE 6010.301 SHEET 1 OF 1

		REVISION
		3
FIGURE 6010.301 STANDARD ROAD PLAN		SW-301
DRAFT		SHEET 1 of 1
<i>Paul D. Weigand</i> <small>SENIOR PROJECT ENGINEER</small>		<i>Scott Nide</i> <small>PROJECT METHODS ENGINEER</small>

CIRCULAR SANITARY SEWER MANHOLE