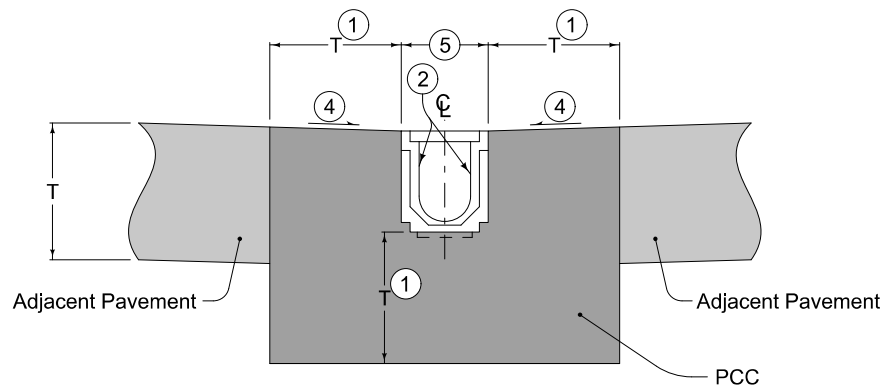


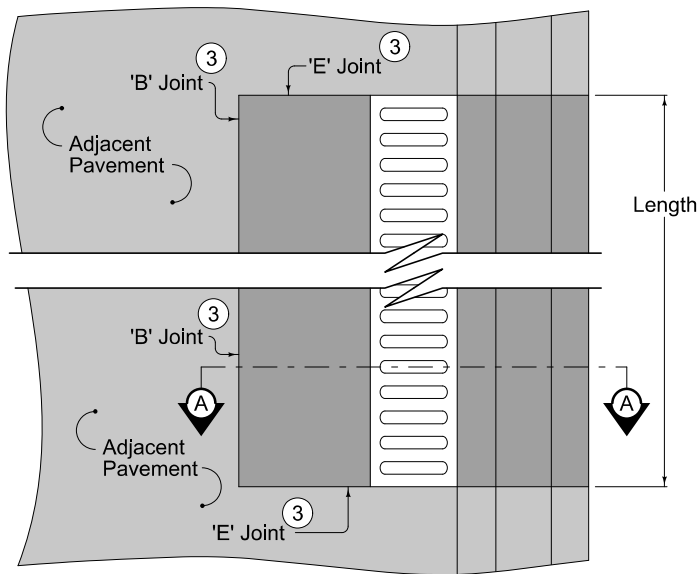
PLAN



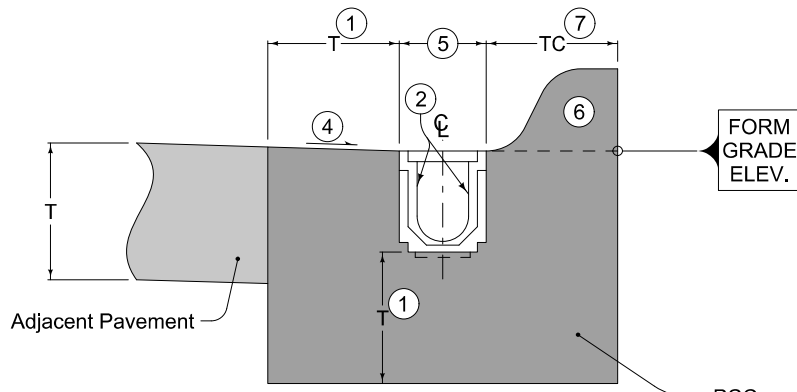
SECTION A-A

- ① 6 inches or same as thickness of adjacent pavement, whichever is greater.
- ② Linear Trench Drain.
- ③ For joint details, see PV-101.
- ④ Slope same as adjacent pavement.
- ⑤ Width as determined by manufacturer. Minimum 6 inches.

		REVISION
		2
FIGURE 6010.521 STANDARD ROAD PLAN		SW-521
DRAFT		SHEET 1 of 2
<i>David D. Wiegand</i> PROJECT ENGINEER		<i>Scott Miller</i> METHODS ENGINEER
LINEAR TRENCH DRAIN		



PLAN



SECTION A-A

- ① 6 inches or same as thickness of adjacent pavement, whichever is greater.
- ② Linear Trench Drain.
- ③ For joint details, see PV-101.
- ④ Slope same as adjacent pavement.
- ⑤ Width as determined by manufacturer. Minimum 6 inches.
- ⑥ Standard or sloped curb. For curb details, see PV-102.
- ⑦ Minimum thickness same as thickness of adjacent pavement or curb width, whichever is greater.

		REVISION
		2
FIGURE 6010.521 STANDARD ROAD PLAN		SW-521
DRAFT		SHEET 2 of 2
<i>David D. Weigand</i> <small>SENIOR PROJECT ENGINEER</small>		<i>John Miller</i> <small>DEPT. METHODS ENGINEER</small>
LINEAR TRENCH DRAIN		