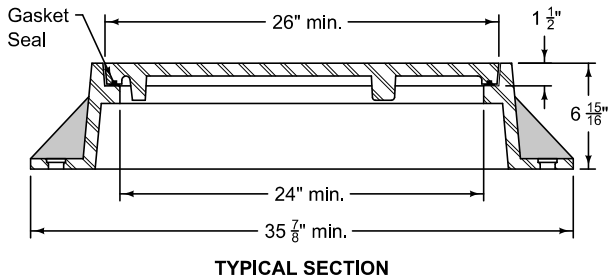
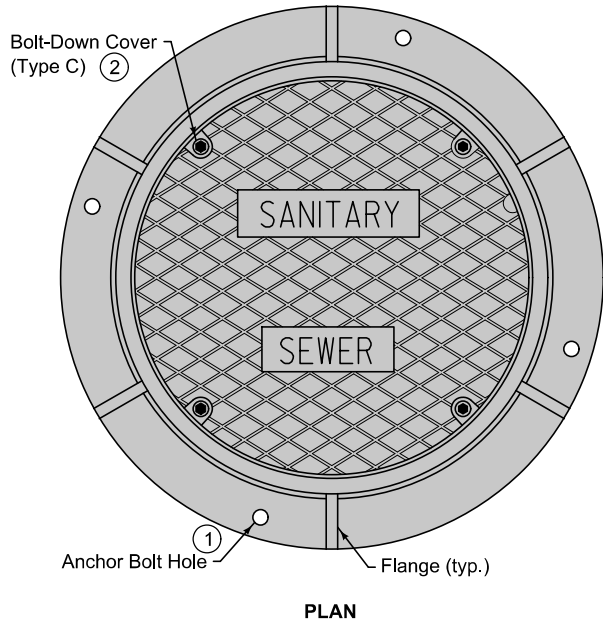


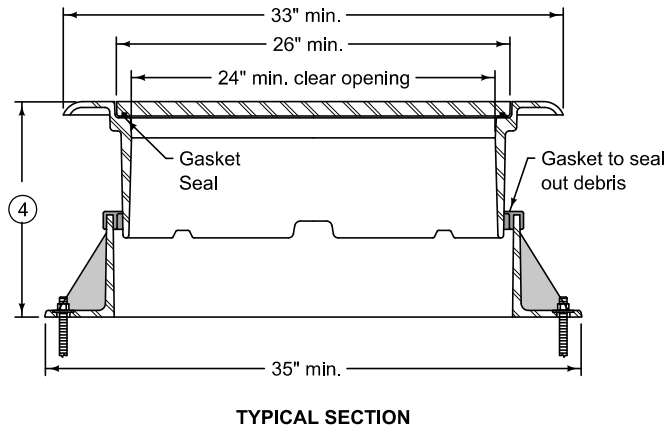
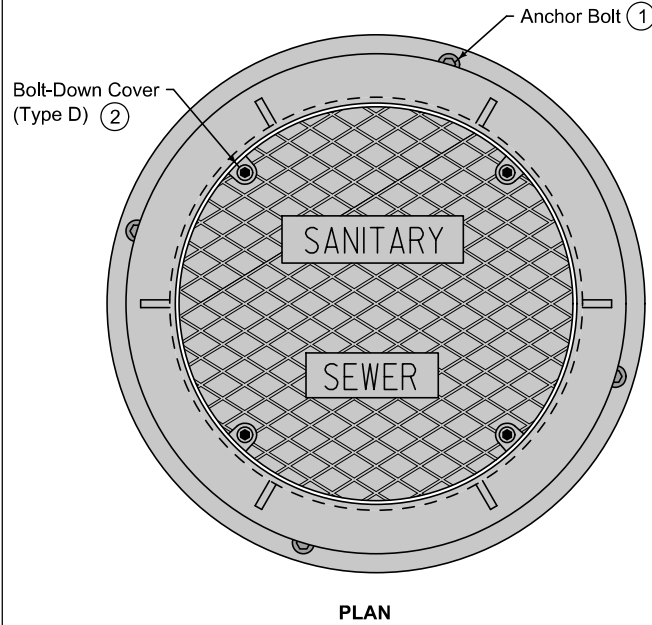
**TYPE A**  
Two-piece fixed casting

**TYPE C**  
Two-piece fixed casting with bolt-down cover (2)



**TYPE B: HMA**  
Three-piece floating casting for use in HMA paving

**TYPE D: HMA**  
Three-piece floating casting with bolt-down cover for use in HMA paving (2)



Frame Notes:  
Size, spacing, and number of lugs and flanges may vary.

Cover Notes:  
Roughness pattern and text style may vary.  
Minimum one concealed pickhole.

- (1) Anchor the lower frame of all three-piece castings to the manhole structure. When specified in the contract documents, anchor the frame of two-piece castings to the manhole structure. If casting frame does not include anchor holes or slots, drill four 7/8 inch diameter holes, equally spaced around the frame.
- (2) If specified, furnish bolt down frame and cover with four 1/2 inch minimum diameter stainless steel, hex nut, recessed cap screws. Secure cover with screws, washers, and rubber gasket seals.
- (3) Set casting at proper grade using the adjustment slots or adjustment mechanism. Remove bolts or mechanism upon completion of paving.
- (4) Casting height varies. Minimum adjustment range of 4 inches.

FIGURE 6010.601 SHEET 1 OF 2

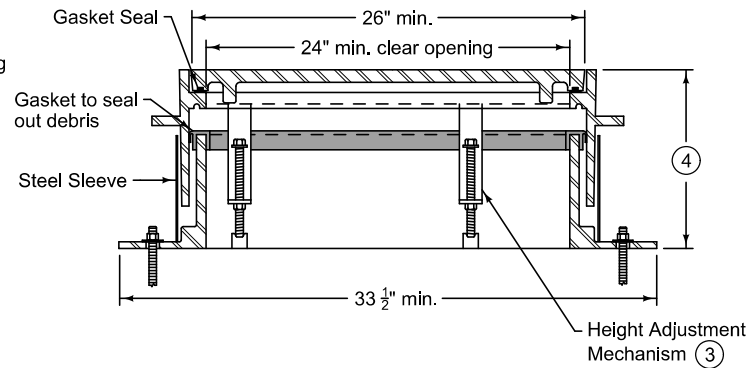
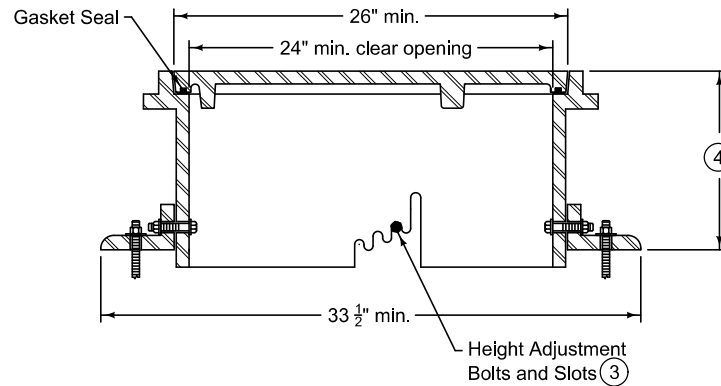
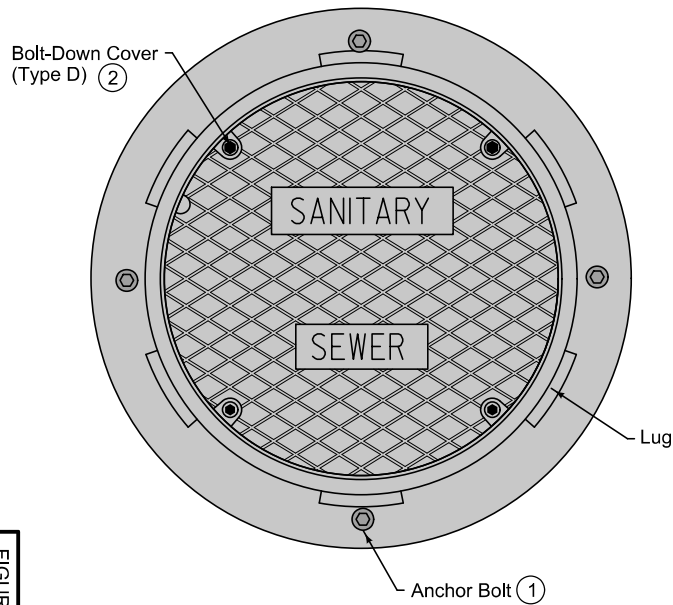
		REVISION
		4
FIGURE 6010.601 STANDARD ROAD PLAN		<b>SW-601</b>
<b>DRAFT</b>		SHEET 1 of 2
		METHODS ENGINEER
<b>CASTINGS FOR SANITARY SEWER MANHOLES</b>		

**TYPE B: PCC**

Three-piece floating casting for use in PCC paving and PCC boxouts

**TYPE D: PCC**

Three-piece floating casting with bolt-down cover for use in PCC paving and PCC boxouts



TYPICAL SECTION (5)

Frame Notes:  
Size, spacing, and number of lugs and flanges may vary.

Cover Notes:  
Roughness pattern and text style may vary.  
Minimum one concealed pickhole.

- (1) Anchor the lower frame of all three-piece castings to the manhole structure. When specified in the contract documents, anchor the frame of two-piece castings to the manhole structure. If casting frame does not include anchor holes or slots, drill four 7/8 inch diameter holes, equally spaced around the frame.
- (2) If specified, furnish bolt down frame and cover with four 1/2 inch minimum diameter stainless steel, hex nut, recessed cap screws. Secure cover with screws, washers, and rubber gasket seals.
- (3) Set casting at proper grade using the adjustment slots or adjustment mechanism. Remove bolts or mechanism upon completion of paving.
- (4) Casting height varies. Minimum adjustment range of 4 inches.
- (5) Height adjustment method may vary; two options are shown.

		REVISION
		4
FIGURE 6010.601 STANDARD ROAD PLAN		<b>SW-601</b>
<b>DRAFT</b>		SHEET 2 of 2
<i>David D. Weigand</i> <small>SENIOR PROJECT ENGINEER</small>		<i>Scott Miller</i> <small>PROJECT METHODS ENGINEER</small>
<b>CASTINGS FOR SANITARY SEWER MANHOLES</b>		