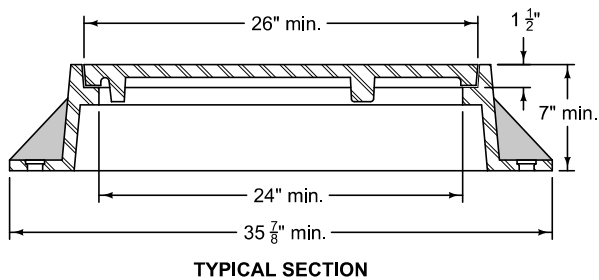
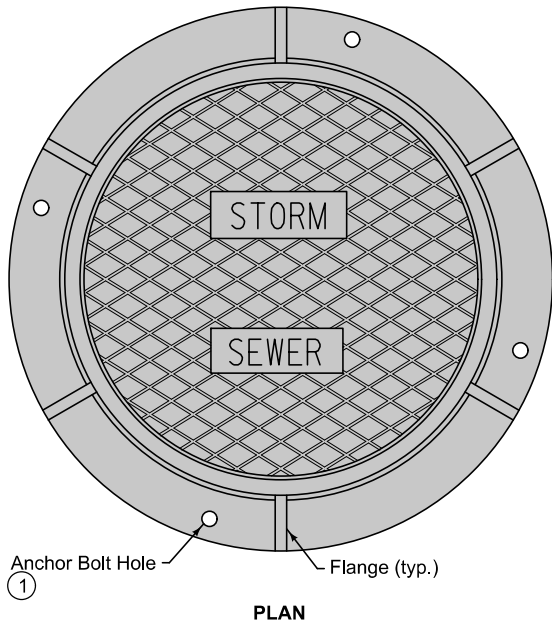
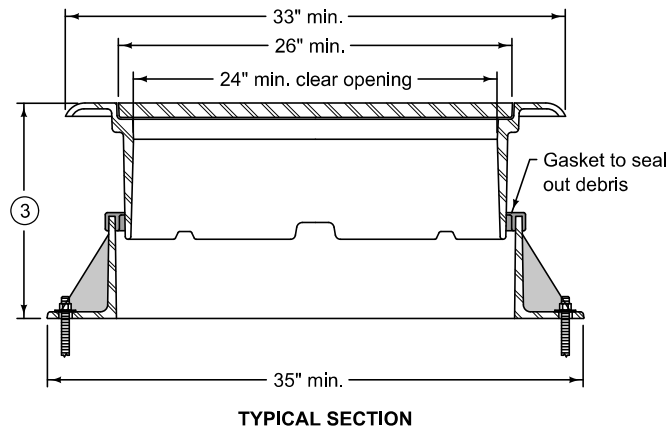
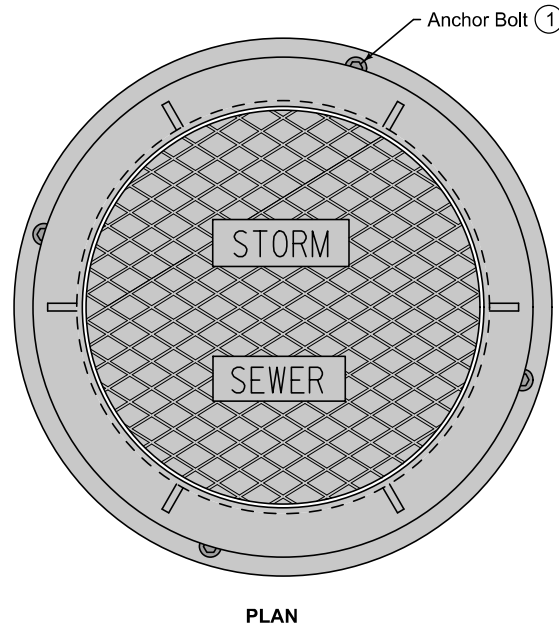


**TYPE E**  
Two-piece fixed casting



**TYPE F: HMA**  
Three-piece floating casting for use in HMA paving



Frame Notes:  
Size, spacing, and number of lugs and flanges may vary.

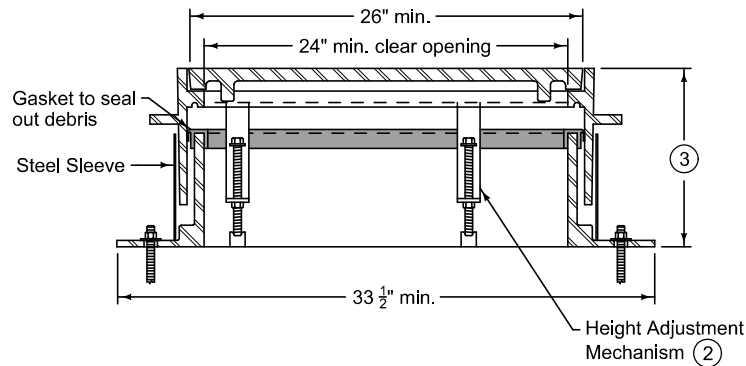
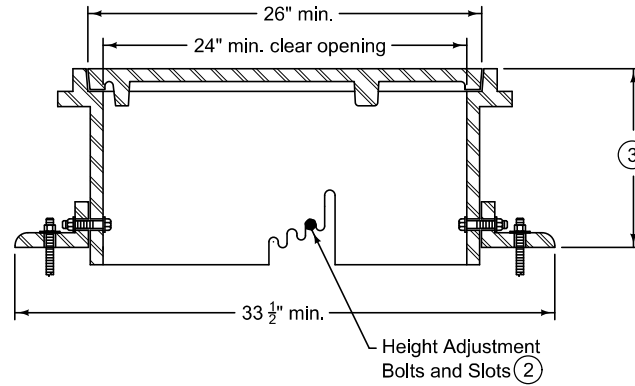
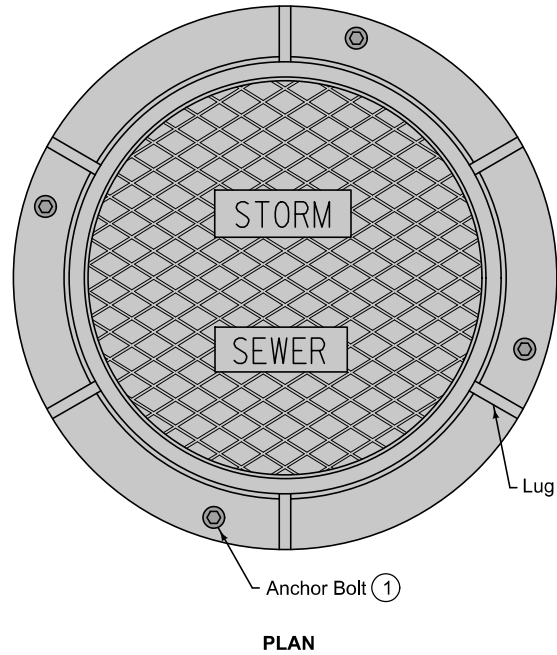
Cover Notes:  
Roughness pattern and text style may vary.  
Minimum one concealed pickhole.

- ① Anchor the lower frame of all three-piece castings to the manhole structure. When specified in the contract documents, anchor the frame of two-piece castings to the manhole structure. If casting frame does not include anchor holes or slots, drill four 7/8 inch diameter holes, equally spaced around the frame.
- ② Set casting at proper grade using the adjustment slots or adjustment mechanism. Remove bolts or mechanism upon completion of paving.
- ③ Casting height varies. Minimum adjustment range of 4 inches.

		REVISION
		4
FIGURE 6010.602 STANDARD ROAD PLAN		<b>SW-602</b>
<b>DRAFT</b>		SHEET 1 of 3
<i>David D. Wegand</i> <small>SENIOR PROJECT ENGINEER</small>		<i>Shirley Miller</i> <small>PROJECT METHODS ENGINEER</small>
<b>CASTINGS FOR STORM SEWER MANHOLES</b>		

**TYPE F: PCC**

Three-piece floating casting for use in PCC paving and PCC boxouts



TYPICAL SECTION ④

Frame Notes:  
Size, spacing, and number of lugs and flanges may vary.

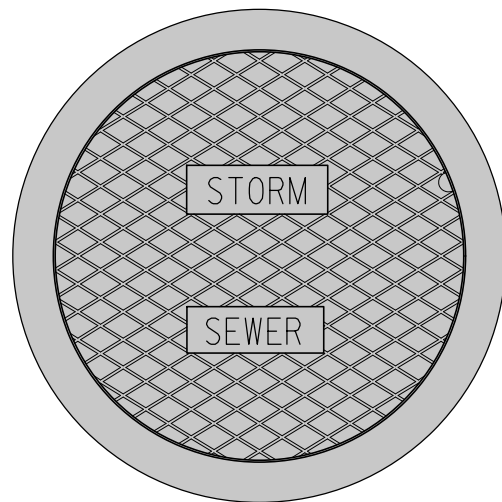
Cover Notes:  
Roughness pattern and text style may vary.  
Minimum one pickhole.

- ① Anchor the lower frame of all three-piece castings to the manhole structure. When specified in the contract documents, anchor the frame of two-piece castings to the manhole structure. If casting frame does not include anchor holes or slots, drill four 7/8 inch diameter holes, equally spaced around the frame.
- ② Set casting at proper grade using the adjustment slots or adjustment mechanism. Remove bolts or mechanism upon completion of paving.
- ③ Casting height varies. Minimum adjustment range of 4 inches.
- ④ Height adjustment method may vary; two options are shown.

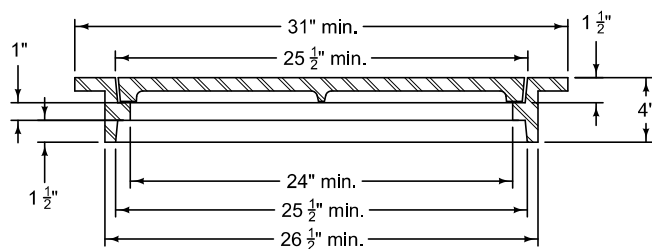
		REVISION
		4
FIGURE 6010.602 STANDARD ROAD PLAN		<b>SW-602</b>
<b>DRAFT</b>		SHEET 2 of 3
		DESIGN METHODS ENGINEER
<b>CASTINGS FOR STORM SEWER MANHOLES</b>		

**TYPE G**  
Two piece fixed casting

Cover Notes:  
Roughness pattern and text style may vary.  
Minimum one pickhole.



PLAN



TYPICAL SECTION

SUDAS	IOWADOT	REVISION
		4
FIGURE 6010.602 STANDARD ROAD PLAN		<b>SW-602</b>
<b>DRAFT</b>		SHEET 3 of 3
<i>David D. Weigand</i> SUDAS DIRECTOR		<i>John Miller</i> DESIGN METHODS ENGINEER
<b>CASTINGS FOR STORM SEWER MANHOLES</b>		