

## SUDAS Revision Submittal Form

<b>Status Date:</b>	As of 5/17/2019	<b>Topic:</b>	Rock subbase
<b>Manual:</b>	Specifications	<b>Manual Location:</b>	6010, 3.01; Figures 6010.302-305, 401-406, and 501-513

---

**Requested Revision:**

**3.01 GENERAL REQUIREMENTS FOR INSTALLATION OF MANHOLES AND INTAKES**

**A. Excavation:** Excavate according to Section 3010.

**B. Subgrade Preparation:**

- 1. Cut Sections (Undisturbed Soil):** Prepare subgrade to accurate elevation required to place ~~structure base or~~ subbase.
- 2. Fill Sections:** Compact to 95% of maximum Standard Proctor Density and hand grade to accurate elevation required to place ~~structure base or~~ subbase, or install stabilization material as directed by the Engineer.
- 3. Unstable Soil:** Install stabilization material as directed by the Engineer.

**C. Subbase:** Install 8 inch thick pad of Class I bedding material a minimum of 12 inches outside footprint of the structure.

~~**1. Cast-in-place Structures:** No subbase material is required.~~

~~**2. Precast Structures:** If precast structure is provided, install 8 inch thick pad of Class I bedding material a minimum of 12 inches outside footprint of the structure.~~

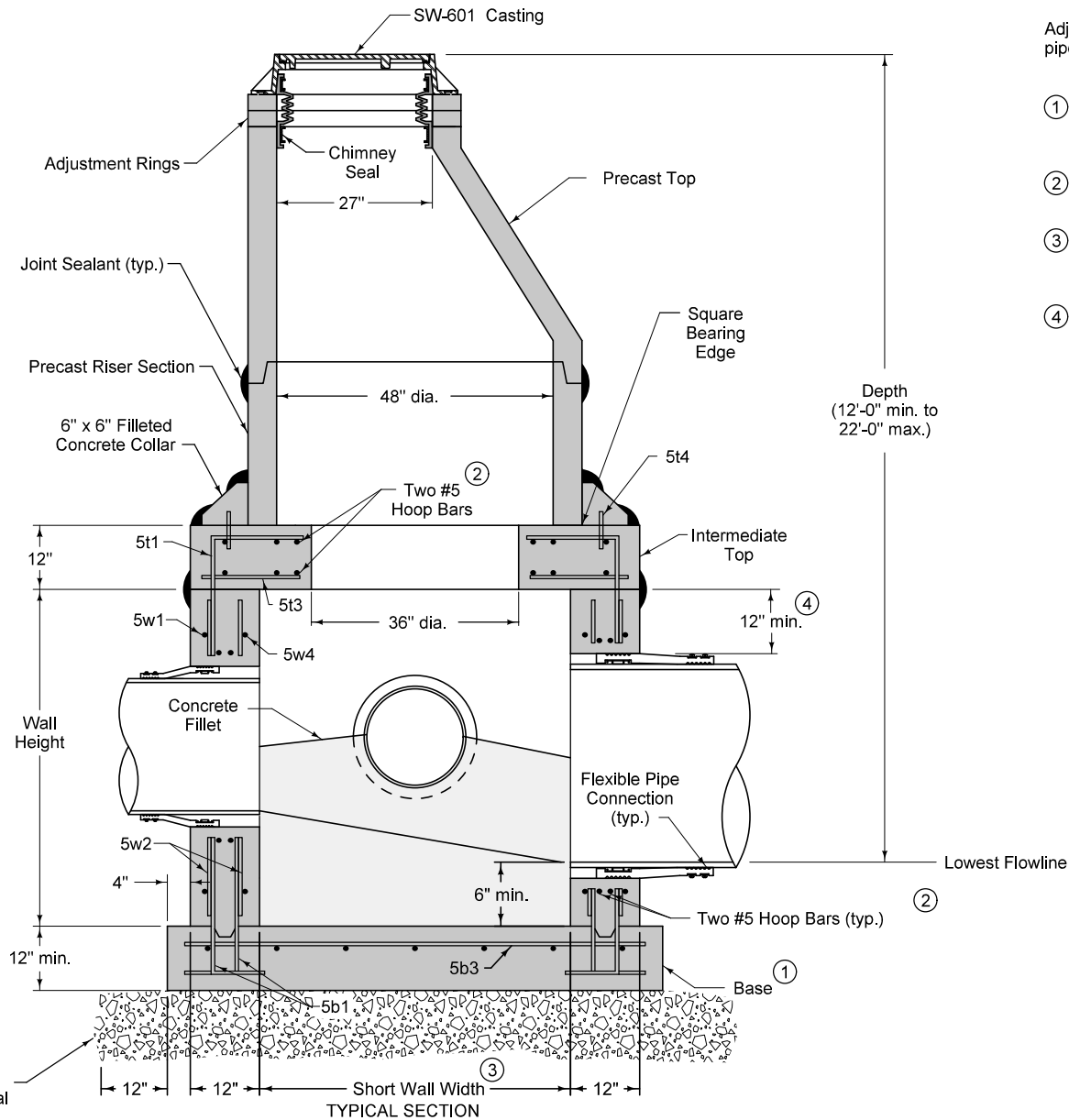
**Reason for Revision:** Added rock subbase to all cast-in-place structures to match precast structures.

**Comments:** Iowa DOT will make the same changes.

<b>District:</b>	<input type="checkbox"/> 1	<input type="checkbox"/> 2	<input type="checkbox"/> 3	<input checked="" type="checkbox"/> 4	<input type="checkbox"/> 5	<input type="checkbox"/> 6
<b>Comments:</b>	12" rock subbase dimension on example figure is in the wrong place. <i>Note - fixed.</i>					
<b>Action:</b>	<input type="checkbox"/> Deferred		<input type="checkbox"/> Not Approved		<input checked="" type="checkbox"/> Approved	
<b>District:</b>	<input type="checkbox"/> 1	<input type="checkbox"/> 2	<input checked="" type="checkbox"/> 3	<input type="checkbox"/> 4	<input type="checkbox"/> 5	<input type="checkbox"/> 6
<b>Comments:</b>	None.					
<b>Action:</b>	<input type="checkbox"/> Deferred		<input type="checkbox"/> Not Approved		<input checked="" type="checkbox"/> Approved	
<b>District:</b>	<input checked="" type="checkbox"/> 1	<input type="checkbox"/> 2	<input type="checkbox"/> 3	<input type="checkbox"/> 4	<input type="checkbox"/> 5	<input type="checkbox"/> 6
<b>Comments:</b>	None.					
<b>Action:</b>	<input type="checkbox"/> Deferred		<input type="checkbox"/> Not Approved		<input checked="" type="checkbox"/> Approved	
<b>District:</b>	<input type="checkbox"/> 1	<input checked="" type="checkbox"/> 2	<input type="checkbox"/> 3	<input type="checkbox"/> 4	<input type="checkbox"/> 5	<input type="checkbox"/> 6
<b>Comments:</b>	None.					
<b>Action:</b>	<input type="checkbox"/> Deferred		<input type="checkbox"/> Not Approved		<input checked="" type="checkbox"/> Approved	
<b>District:</b>	<input type="checkbox"/> 1	<input type="checkbox"/> 2	<input type="checkbox"/> 3	<input type="checkbox"/> 4	<input type="checkbox"/> 5	<input checked="" type="checkbox"/> 6
<b>Comments:</b>	In 3.01, B, 1 and 2 - delete "structure base". <i>Note - done.</i>					
<b>Action:</b>	<input type="checkbox"/> Deferred		<input type="checkbox"/> Not Approved		<input checked="" type="checkbox"/> Approved	
<b>District:</b>	<input type="checkbox"/> 1	<input type="checkbox"/> 2	<input type="checkbox"/> 3	<input type="checkbox"/> 4	<input checked="" type="checkbox"/> 5	<input type="checkbox"/> 6
<b>Comments:</b>	None.					
<b>Action:</b>	<input type="checkbox"/> Deferred		<input type="checkbox"/> Not Approved		<input checked="" type="checkbox"/> Approved	

**Final District Action Summary:** All 6 districts approved.

**Board of Directors Action:** Approved.



Adjacent walls may have different widths based upon pipe configuration, but structure must be rectangular.

- ① Cast-in-place base shown. If base is precast integral with walls, the footprint of the base is not required to extend beyond the outer edge of the walls.
- ② Provide two #5 hoop bars at intermediate top opening and at all pipe openings.
- ③ Wall widths vary with pipe diameter and range from 4 feet minimum to 12 feet maximum. Provide 12 inches of wall width (minimum) each side of pipe opening.
- ④ 12 inch minimum wall height above all pipe openings.

FIGURE 6010.304 SHEET 1 OF 2

FIGURE 6010.304 STANDARD ROAD PLAN		REVISION
<b>DRAFT</b>		2
		<b>SW-304</b>
SHEET 1 of 2		Changed "Invert" to
METHODS ENGINEER		
<b>RECTANGULAR BASE/ CIRCULAR TOP SANITARY SEWER MANHOLE</b>		