

SUDAS Revision Submittal Form

Status Date: As of 5/17/2019 **Topic:** Steps in manholes and intakes
Manual: Specifications **Manual Location:** 6010, 2.13; Figures 6010.301, 303, 304, 305, 401, 404, and 405

Requested Revision:

2.13 STEPS

A. Provide **Do not install** steps in ~~all circular, precast~~ **any** manholes **or intakes** unless otherwise specified in the contract documents.

B. If specified, comply with the following:

- ~~B1.~~ **B1.** ~~Comply with~~ ASTM C 478.
- ~~C2.~~ **C2.** Manufacture using polypropylene encased steel.
- ~~D3.~~ **D3.** Uniformly space steps at 12 to 16 inches.
- ~~E4.~~ **E4.** Align with vertical side of eccentric top section.
- ~~F5.~~ **F5.** Place first step no more than 36 inches from top of casting.

Reason for Revision: Changed the default to no steps in manholes and intakes because of the safety concerns.

Comments: Iowa DOT will make the same changes.

District: 1 2 3 4 5 6

Comments: None.

Action: Deferred Not Approved Approved

District: 1 2 3 4 5 6

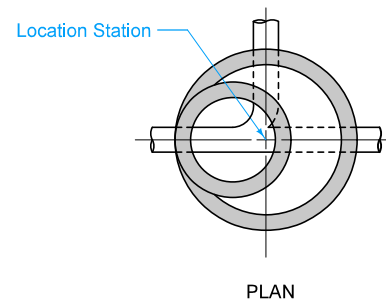
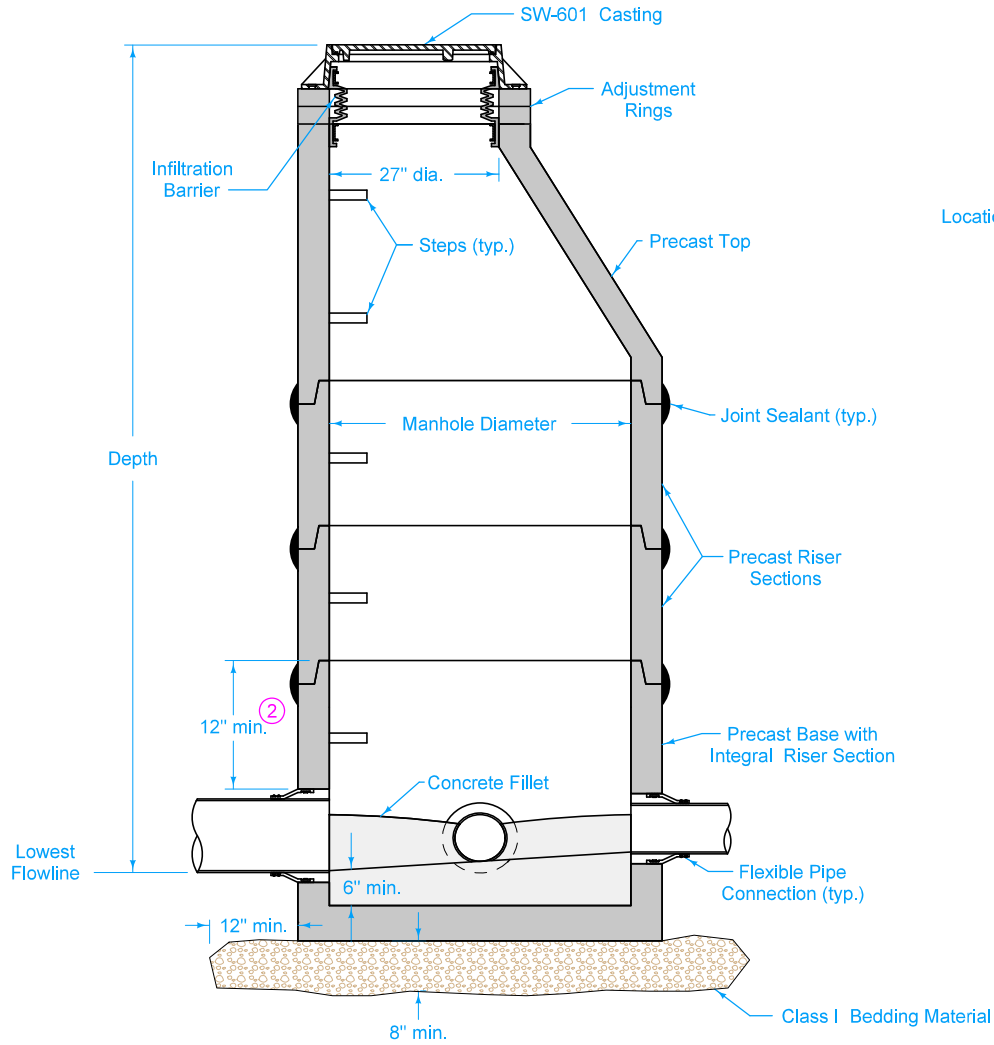
Final Comments: NOT approved.

Action: Deferred Not Approved Approved

Final District Action Summary: 5 out of the 6 districts approved.

Board of Directors Action: Approved.

- ① For additional configurations, maintain a minimum of 12 inches of concrete between vertical edges of pipe openings.
- ② 12 inch minimum riser height above all pipe openings.



Manhole Diameter (inches)	Maximum Pipe Diameter (inches) for 2 Pipes ①	
	At 180° Separation	At 90° Separation
48	24	18
60	36	24
72	42	30
84	48	36
96	60	42

TYPICAL SECTION

FIGURE 6010.301 SHEET 1 OF 1

		REVISION
		3
FIGURE 6010.301 STANDARD ROAD PLAN		SW-301
DRAFT		SHEET 1 of 1
<i>Paul D. Weigand</i> <small>SENIOR PROJECT ENGINEER</small>		<i>Scott Nide</i> <small>PROJECT METHODS ENGINEER</small>

CIRCULAR SANITARY SEWER MANHOLE