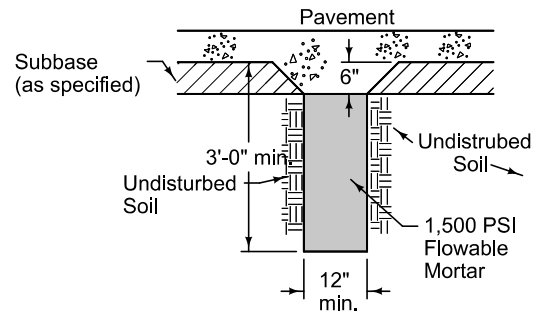
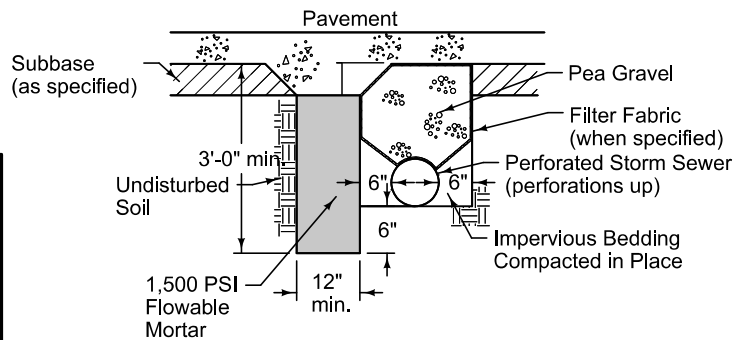


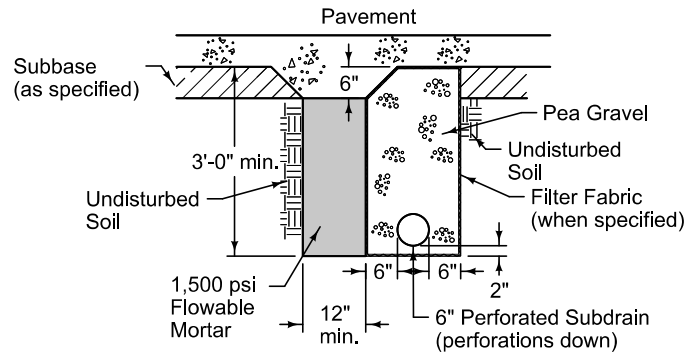
**PLAN VIEW**  
(Flowable mortar cutoffwall and cross run location.)



**FLOWABLE MORTAR CUTOFFWALL**  
(Without Sewer)



**SECTION A-A**  
(Flowable mortar cutoffwall and storm sewer)




**FLOWABLE MORTAR CUTOFFWALL**  
(With Subdrain)

Length of cutoffwall to be back of curb to back of curb.

DISTANCE FROM C INTAKE TO C CROSSRUN	
Size	D
15" RCP	0.7'
15" CMP	0.8'
18" RCP	0.5'
18" CMP	0.7'

FIGURE 7040.105 SHEET 1 OF 1

	REVISION New 10-19-10
	<b>7040.105</b> SHEET 1 of 1
<b>SUDAS Standard Specifications</b>	
<b>FLOWABLE MORTAR CUTOFFWALL</b>	