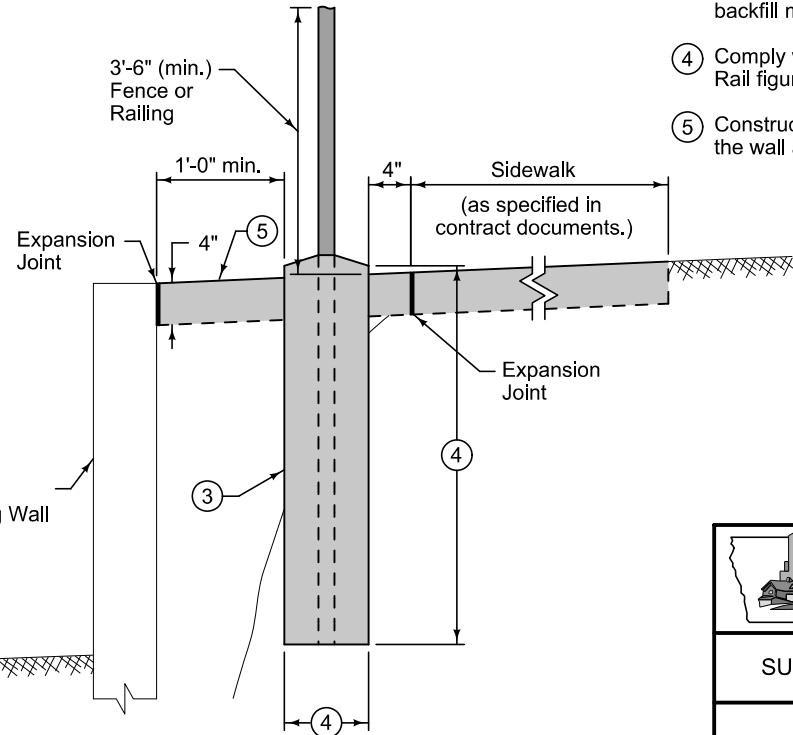


**RETAINING WALL**



**CONCRETE RETAINING WALL**

- ① For modular block retaining walls, install column tube or PVC pipe as backfill material is placed. When fence is installed after backfill material is placed, utilize hand excavation of post hole footings to avoid damaging engineering fabric tiebacks.  
  
For landscape timber walls, locate fence posts to avoid timber tiebacks.
- ② Cut or displace engineering fabric tiebacks (if present) around column tube or PVC pipe.
- ③ Column tubes or PVC pipes may installed behind PCC retaining walls during placement of backfill material or post holes may be excavated upon completion of backfill material placement.
- ④ Comply with Chain Link Fence or Safety Rail figures for post footing dimensions.
- ⑤ Construct a PCC cap between the back of the wall and the fence or rail.

	REVISION
	New   10-18-11
	<b>9060.103</b>
SHEET 1 of 1	

SUDAS Standard Specifications

POST INSTALLATION  
ADJACENT TO RETAINING WALLS