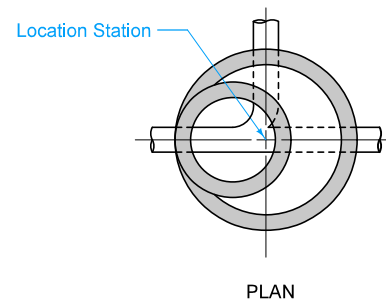
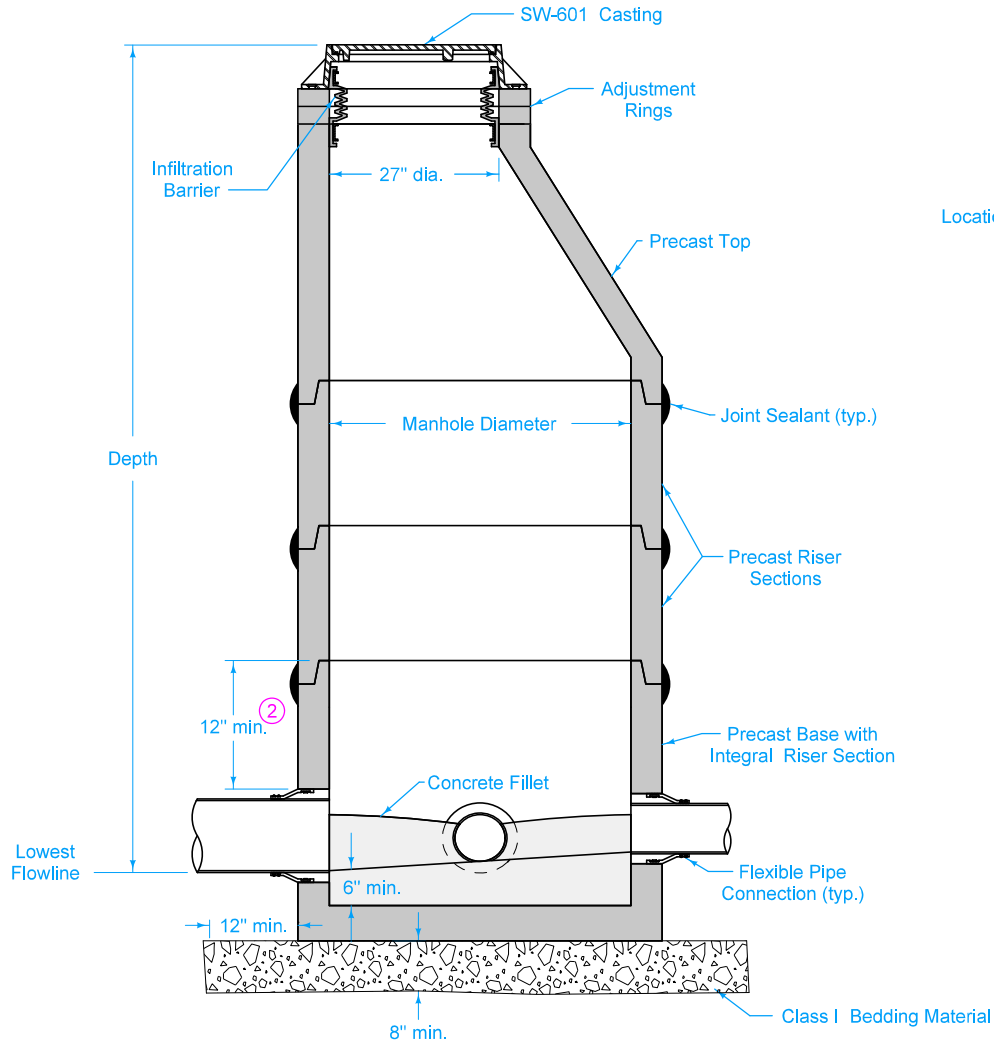


If manhole depth exceeds 20 feet, install steps.

- ① For additional configurations, maintain a minimum of 12 inches of concrete between vertical edges of pipe openings.
- ② 12 inch minimum riser height above all pipe openings.



	Maximum Pipe Diameter (inches) for 2 Pipes ①	
	At 180° Separation	At 90° Separation
48	24	18
60	36	24
72	42	30
84	48	36
96	60	42

TYPICAL SECTION

		REVISION
		4 04-20-21
FIGURE 6010.301	STANDARD ROAD PLAN	<b>SW-301</b>
		SHEET 1 of 1

REVISIONS: Added manhole depth note.

SUDAS DIRECTOR DESIGN METHODS ENGINEER

**CIRCULAR SANITARY SEWER MANHOLE**