

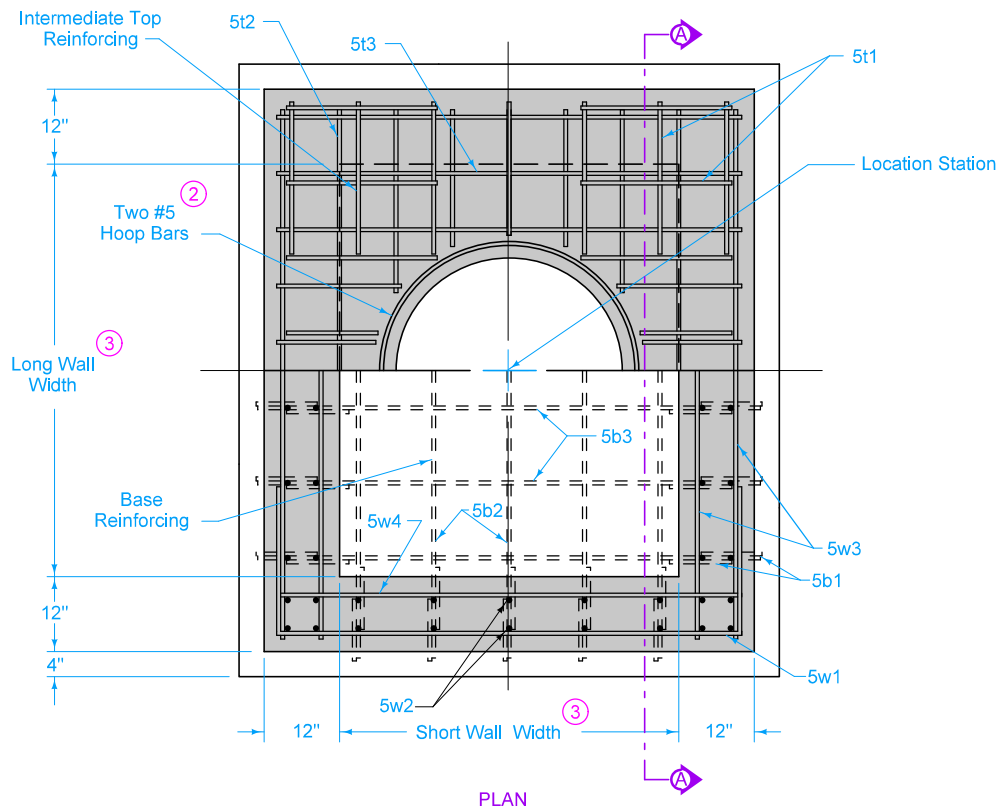
Adjacent walls may have different widths based upon pipe configuration, but structure must be rectangular.

If manhole depth exceeds 20 feet, install steps.

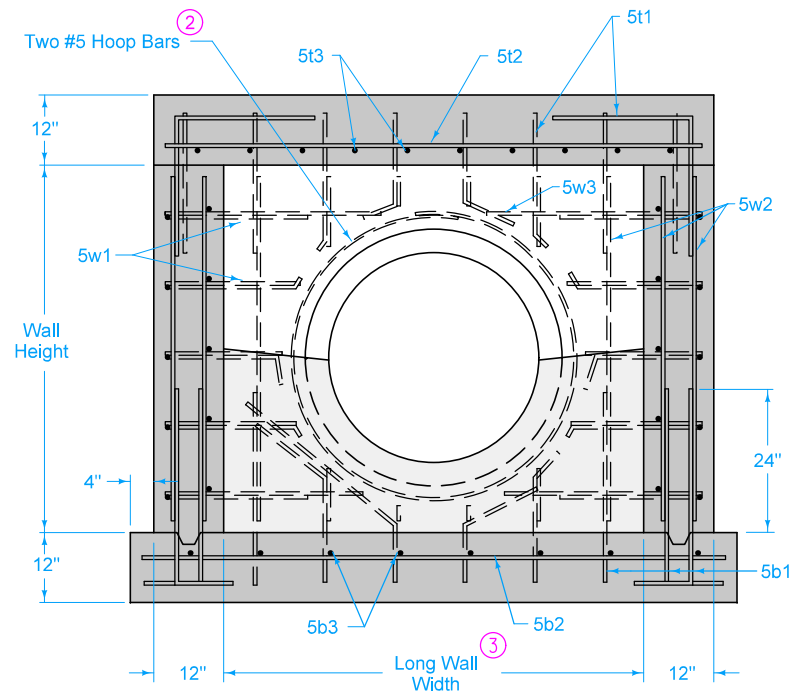
- ① Cast-in-place base shown. If base is precast integral with walls, the footprint of the base is not required to extend beyond the outer edge of the walls.
- ② Provide two #5 hoop bars at intermediate top opening and at all pipe openings.
- ③ Wall widths vary with pipe diameter and range from 4 feet minimum to 12 feet maximum. Provide 12 inches of wall width (minimum) each side of pipe opening.
- ④ 12 inch minimum wall height above all pipe openings.

FIGURE 6010.304 SHEET 1 OF 2

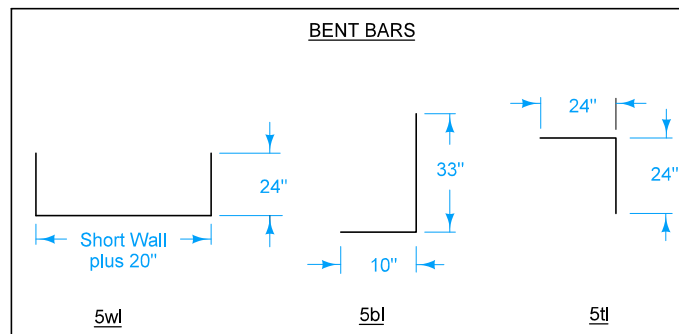
		REVISION	
		4	04-20-21
FIGURE 6010.304	STANDARD ROAD PLAN	SW-304	
		SHEET 1 of 2	
REVISIONS: Added manhole depth note.			
SUDAS DIRECTOR		DESIGN METHODS ENGINEER	
RECTANGULAR BASE/ CIRCULAR TOP SANITARY SEWER MANHOLE			



- (2) Provide two #5 hoop bars at intermediate top opening and at all pipe openings.
- (3) Wall widths vary with pipe diameter and range from 4 feet minimum to 12 feet maximum. Provide 12 inches of wall opening (minimum) each side of pipe opening.



REINFORCING BAR LIST					
Mark	Size	Location	Shape	Length	Spacing
5t1	5	Top	L	48"	12"
5t2	5	Top	—	Long Wall plus 20"	9"
5t3	5	Top	—	Short Wall plus 20"	9"
5t4	5	Top	—	8"	12"
5b1	5	Base	L	43"	12"
5b2	5	Base	—	Long Wall plus 26"	12"
5b3	5	Base	—	Short Wall plus 26"	12"
5w1	5	Top	U	Short Wall plus 68"	12"
5w2	5	Top	—	Wall Height minus 4"	12"
5w3	5	Top	—	Long Wall plus 20"	12"
5w4	5	Top	—	Short Wall plus 20"	12"



SECTION A-A

FIGURE 6010.304	STANDARD ROAD PLAN	REVISION
		4 04-20-21
REVISIONS: Added manhole depth note.		SW-304 SHEET 2 of 2
SUDAS DIRECTOR DESIGN METHODS ENGINEER		
RECTANGULAR BASE/ CIRCULAR TOP SANITARY SEWER MANHOLE		