

If manhole depth exceeds 20 feet, install steps.

① For sewer pipes less than 48 inches in diameter, install eccentric reducers/increasers with a standard tee or utilize a composite tee.

TYPICAL SECTION

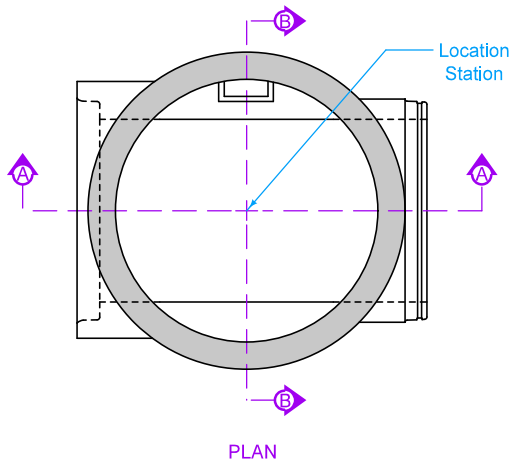
STANDARD TEE ①

		REVISION	
		3	04-20-21
FIGURE 6010.305	STANDARD ROAD PLAN	SW-305	
		SHEET 1 of 2	

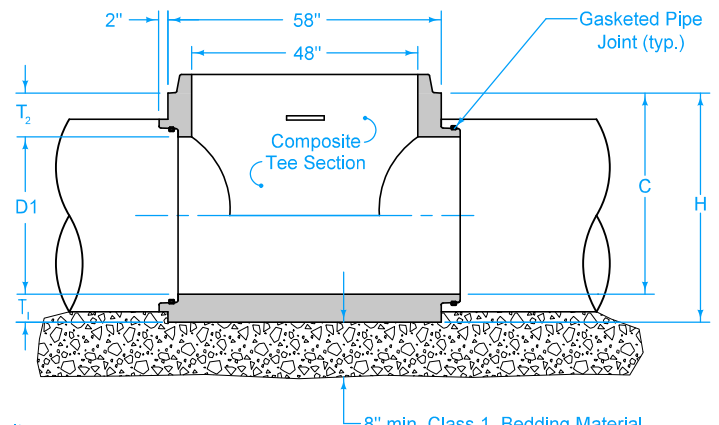
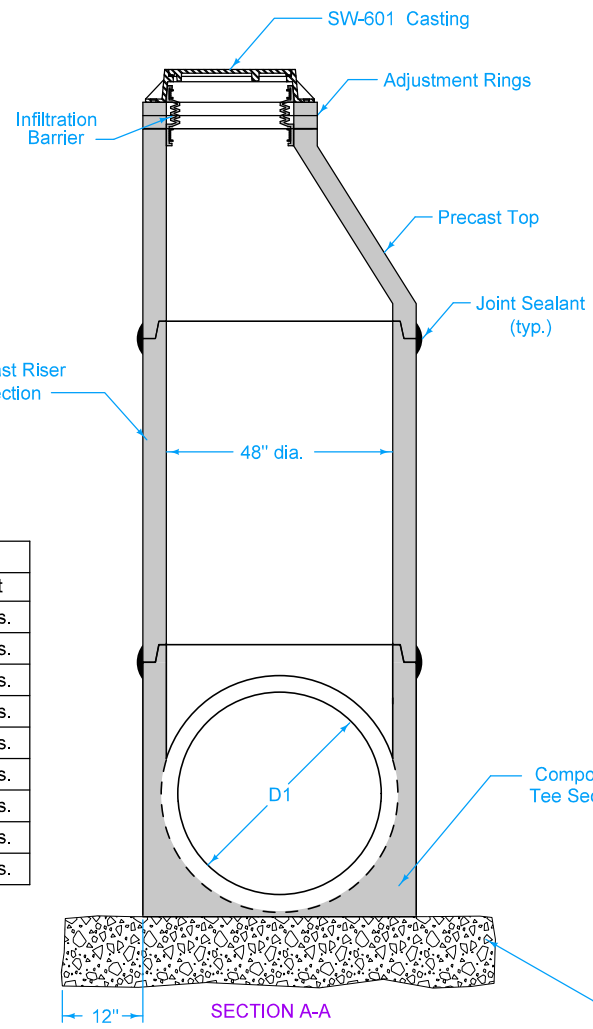
REVISIONS: Added manhole depth note.

SUDAS DIRECTOR DESIGN METHODS ENGINEER

TEE-SECTION
SANITARY SEWER MANHOLE



COMPOSITE TEE DIMENSIONS						
Size	D1	H	T ₁	T ₂	C	Weight
48" on 12"	12"	50"	8½"	29½"	41½"	5600 lbs.
48" on 15"	15"	50"	7"	28"	43"	5400 lbs.
48" on 18"	18"	50"	5½"	26½"	44½"	5200 lbs.
48" on 21"	21"	48"	9½"	17½"	38½"	5800 lbs.
48" on 24"	24"	48"	8"	16"	40"	5600 lbs.
48" on 27"	27"	48"	9½"	11½"	38½"	5900 lbs.
48" on 30"	30"	48"	8"	10"	40"	5300 lbs.
48" on 33"	33"	54"	9½"	11½"	44½"	6600 lbs.
48" on 36"	36"	54"	8"	10"	46"	6100 lbs.



COMPOSITE TEE
 Alternate to standard tee with eccentric reducer (for pipes 36" and smaller).

FIGURE 6010.305	STANDARD ROAD PLAN	REVISION	
		3	4-20-21
		SW-305	
		SHEET 2 of 2	
REVISIONS: Added manhole depth note.			
SUDAS DIRECTOR		DESIGN METHODS ENGINEER	
TEE-SECTION SANITARY SEWER MANHOLE			

FIGURE 6010.305 SHEET 2 OF 2