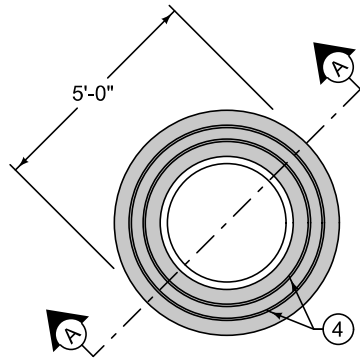


RECTANGULAR



CIRCULAR

Construct boxout with Class C concrete or match pavement class. Minimum 2 inches clear on reinforcement. Minimum 12 inches of concrete between outside of casting and nearest joint. Center casting within boxout area if possible.

- ① 4 foot 8 inch (typ.) #4 bar. Place at mid-slab.
- ② If boxout is constructed prior to placement of HMA overlay or final lift of HMA pavement, boxout may be constructed low, with a 'B' joint in place of the 'E' joint, and then final lift or overlay placed.
- ③ Apply tack coat.
- ④ #4 hoops (variable length). Place at mid-slab.

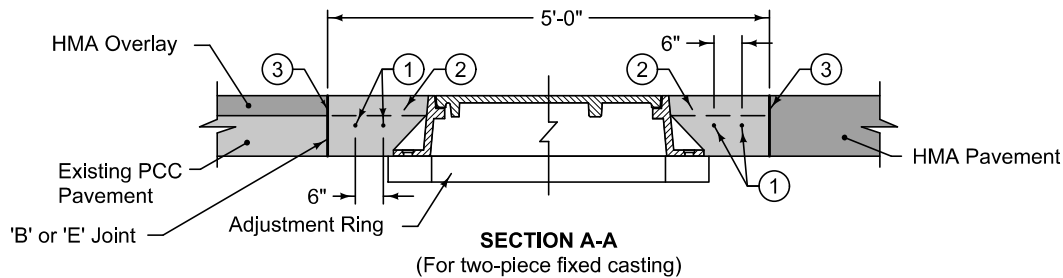
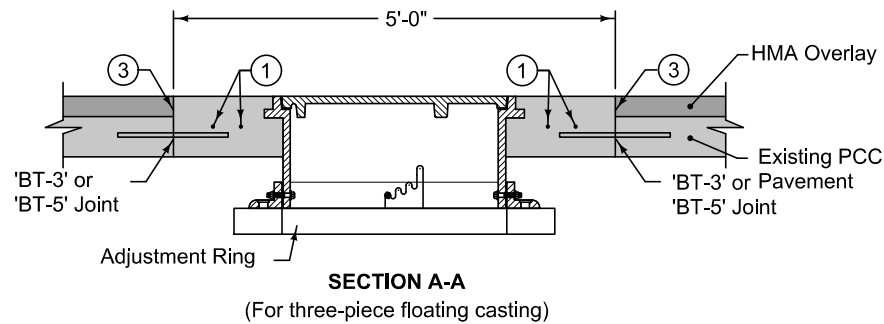


FIGURE 7020.201 SHEET 1 OF 1

SUDAS IOWADOT	REVISION	1	10-19-21
	FIGURE 7020.201	STANDARD ROAD PLAN	PV-201
REVISIONS: Added note 12 Inch minimum around casting.			SHEET 1 of 1
Paul D. Wigand SUDAS DIRECTOR		Steve Miller DESIGN METHODS ENGINEER	
MANHOLE BOXOUTS IN HMA PAVEMENT AND HMA OVERLAYS			