

SUDAS Revision Submittal Form

Status Date: As of 5/7/2021 **Topic:** Concrete step and wall construction
Manual: Specifications **Manual Location:** Section 9080, 2.01, B and Figure 9080.102

Requested Revision:

2.01 STEPS

- A. Concrete:** Class C concrete complying with [Section 6010, 2.03](#).
- B. Reinforcing Steel:** Comply with [Iowa DOT Section 4151](#) for epoxy coated reinforcement. **Comply with ACI-318 for dowel bar substitutes.**
- C. Expansion Joint:** Comply with [Iowa DOT Section 4136.03, A](#).
- D. Forms:** Comply with [Iowa DOT Section 2403](#).

Also see attached figure.

Reason for Revision: Added information for independent staging of steps and wall construction.

Comments: None.

District: 1 2 3 4 5 6 **2/24/2021 Webinar**

Comments: None.

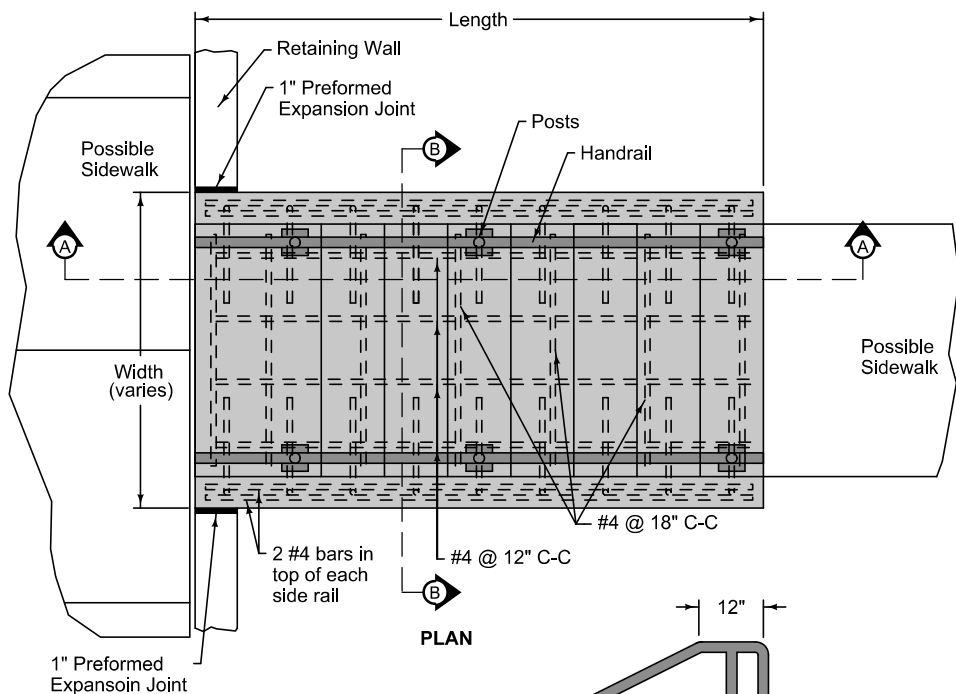
District: 1 2 3 4 5 6 **April 2021 Webinars**

Comments: None.

Action: Deferred Not Approved Approved

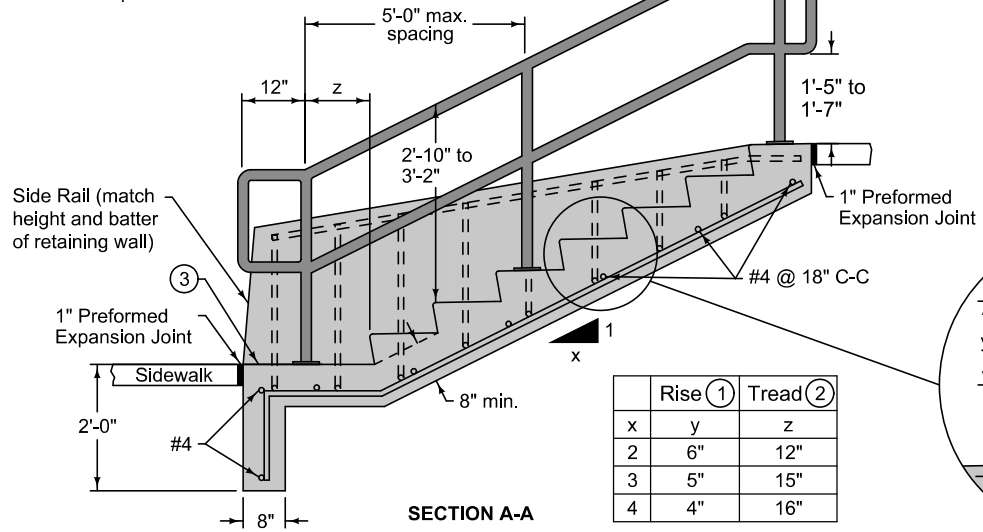
Final District Action Summary: All 6 districts approved.

Board of Directors Action: Approved.



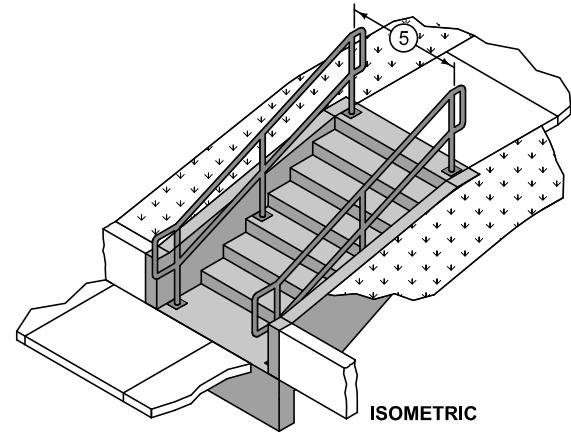
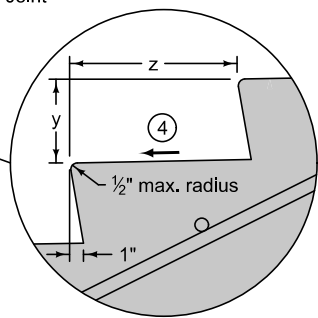
1" Preformed Expansion Joint

PLAN



SECTION A-A

	Rise ①	Tread ②
x	y	z
2	6"	12"
3	5"	15"
4	4"	16"




ISOMETRIC

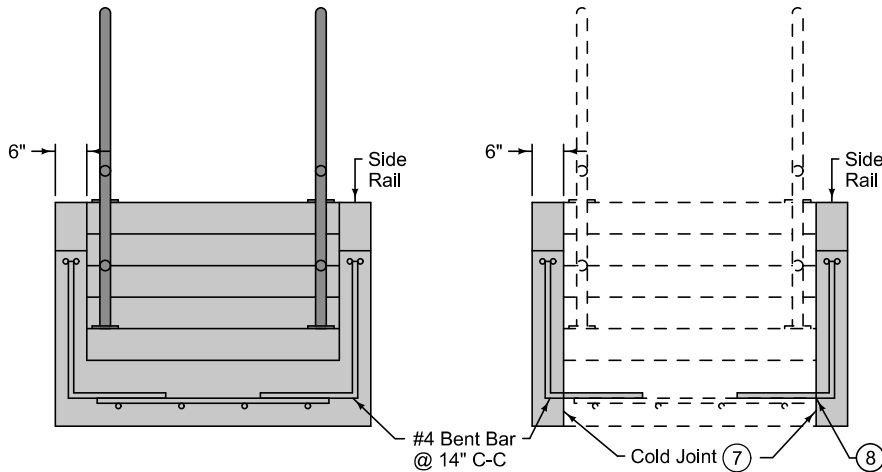
Provide a minimum of 2 inches of cover for all reinforcing.

Ensure all risers are an equal height and all treads are an equal depth within a flight of stairs.

- ① Minimum riser height is 4 inches. Maximum riser height is 7 inches.
- ② Minimum tread depth is 11 inches.
- ③ Construct cross slope of landing to match adjacent sidewalk.
- ④ Slope tread 1% minimum to 2% maximum in any direction.
- ⑤ Match existing sidewalk width.

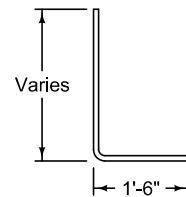
FIGURE 9080.102 SHEET 1 OF 2

	SUDAS 9080.102	REVISION 1 2022 Edition 9080.102 SHEET 1 of 2
	SUDAS Standard Specifications	
	TYPE B CONCRETE STEPS WITH HANDRAIL	



SECTION B-B
(Side Rails and Stairs Formed and Constructed Monolithically)

ALTERNATE SECTION B-B
(Side Rails and Stairs Formed and Constructed Separately)

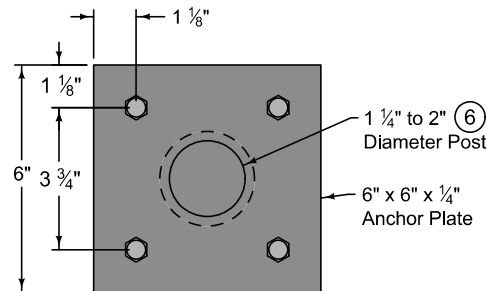


BENT BAR

Provide a minimum of 2 inches of cover for all reinforcing.

Ensure all risers are an equal height and all treads are an equal depth within a flight of stairs.

- ⑥ Weld post to anchor plate with 1/4 inch weld. Grind weld to provide smooth surface, free of burrs.
- ⑦ Upon approval of Engineer, side rails may be formed and constructed separately from the stairs. Seal the cold joint between the side rail and stairs according to Section 7010.
- ⑧ If side rails and stairs are constructed separately, dowel bar substitutes may be used for the bent bars connections between the side rails and the stairs.



ANCHOR PLATE DETAIL

	REVISION
	1 2022 Edition
	9080.102
SHEET 2 of 2	

SUDAS Standard Specifications

**TYPE B CONCRETE STEPS
WITH HANDRAIL**