

SUDAS Revision Submittal Form

Status Date: As of 5/7/2021 **Topic:** Slope of top of curb at sidewalks
Manual: Specifications **Manual Location:** Section 7010, 3.02, G, 4
Figures 7030.201 and 7030.202

Requested Revision:

From Section 7010:

3.02 PAVEMENT CONSTRUCTION

G. Integral Curbs: Integral curbs are placed with the pavement in a single paving machine operation; however, hand methods may be allowed for radius, returns, and sections of curb and gutter 100 feet or less in length or in other special sections where mechanical equipment cannot be used.

1. Pave, edge, protect, saw, and cure curb in same manner as pavement.
2. Finish curb as rapidly as finishing operations on pavement permit. Maximum distance behind paving machine is 100 feet.
3. Complete final finish on curbs by hand methods, including the use of a 6 foot straightedge.
4. Check surfaces of curb and gutter with 10 foot straightedge; correct variations greater than 1/8 inch. **Ensure top of curb slopes to street when Class A sidewalk will be constructed adjacent to the curb.**
5. For drop curb at driveways and where sidewalks intersect streets, use forms to shape the backs of such curbs.
6. When using hand methods for building curb, the following additional requirements will apply:
 - a. Remove free water, latency, dust, leaves, or other foreign matter from the slab prior to placing concrete for curb.
 - b. Use freshly mixed concrete; do not store concrete in receptacles at side of pavement for use in curb at a later time; do not use concrete requiring retempering.
 - c. Consolidate curb concrete to obtain adequate bond with the pavement slab and to eliminate honeycomb in the curb. Avoid disturbing the alignment of forms or the gutter flow line.

See attached figures as well.

Reason for Revision: Added note for top of curb to drain to street when adjacent to Class A sidewalk.

Comments: None.

District: 1 2 3 4 5 6 **2/24/2021 Webinar**
Comments: None.

District: 1 2 3 4 5 6
Comments: None.
Action: Deferred Not Approved Approved

District: 1 2 3 4 5 6
Comments: None.
Action: Deferred Not Approved Approved

District: 1 2 3 4 5 6
Comments: None.
Action: Deferred Not Approved Approved

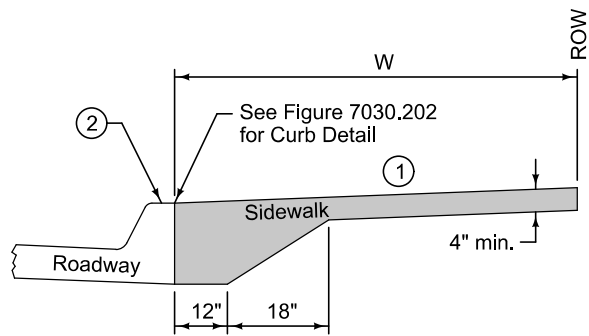
District: 1 2 3 4 5 6
Comments: None.
Action: Deferred Not Approved Approved

District: 1 2 3 4 5 6
Comments: Suggested adding language to Section 7010 to address this item as well.
Note - done.
Action: Deferred Not Approved Approved

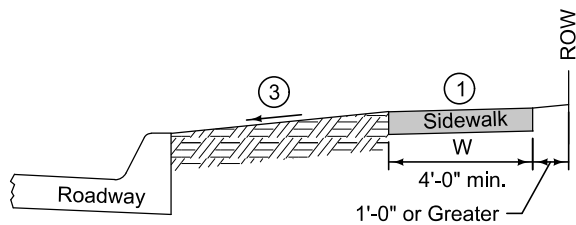
District: 1 2 3 4 5 6
Comments: None.
Action: Deferred Not Approved Approved

Final District Action Summary: All 6 districts approved; see comments above.

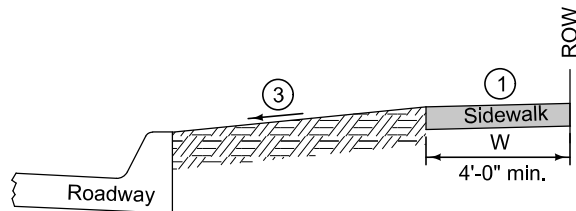
Board of Directors Action: Approved.



CLASS A SIDEWALK
(Sidewalk extends from back of curb to ROW)



CLASS B SIDEWALK




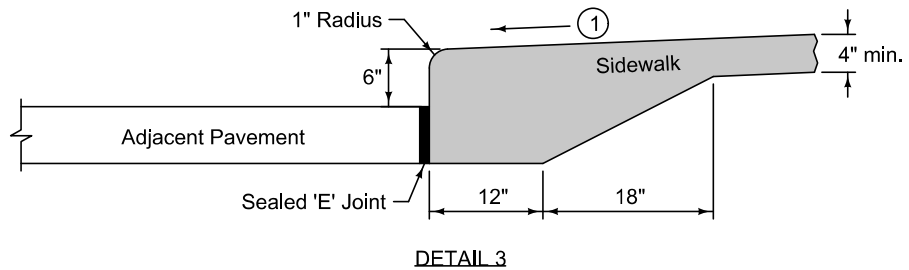
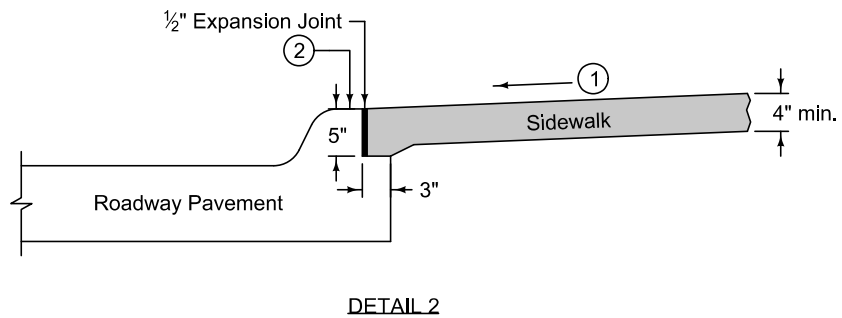
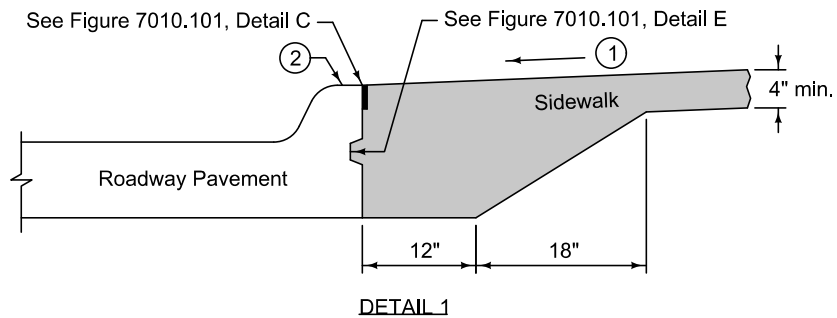
CLASS C SIDEWALK

- ① Target cross slope of 1.5% with a maximum cross slope of 2.0% (including sidewalk through driveway).
- ② Ensure top of curb slopes to street for drainage.
- ③ Parking Slopes:
If parking width is less than 10 feet wide, slope at ¼ inch per foot.
If parking width is 10 feet wide and greater, slope at ½ inch per foot.

Special grade may be specified in the contract documents.


W = Sidewalk width as specified in the contract documents.

	<small>REVISION</small> 3 2022 Edition
	SUDAS 7030.201
	<small>SHEET 1 of 1</small>
SUDAS Standard Specifications	
CLASSES OF SIDEWALKS	



For new sidewalk with new curb and gutter, comply with Detail 1 or Detail 2. Comply with Detail 3 for new sidewalk adjacent to existing pavement or when specified in the contract documents.

- ① Target cross slope of 1.5% with a maximum cross slope of 2.0%.
- ② Ensure top of curb slopes to street for drainage.

	REVISION 3 2022 Edition
	SUDAS 7030.202
	SHEET 1 of 1
SUDAS Standard Specifications	
CURB DETAILS FOR CLASS A SIDEWALK	