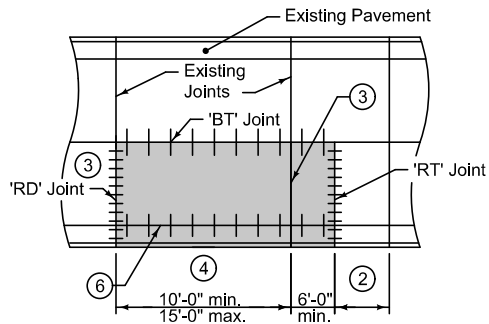
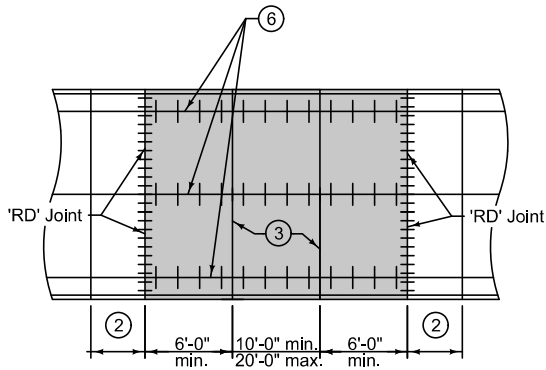


**GUTTERLINE JOINTING**

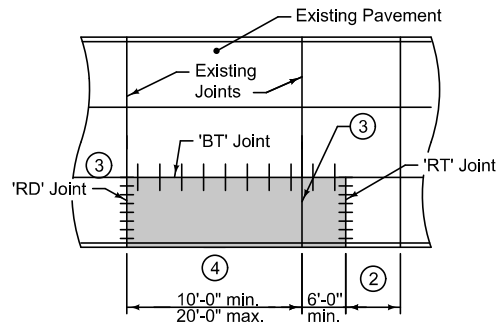


**ONE PANEL WIDTH PATCH**

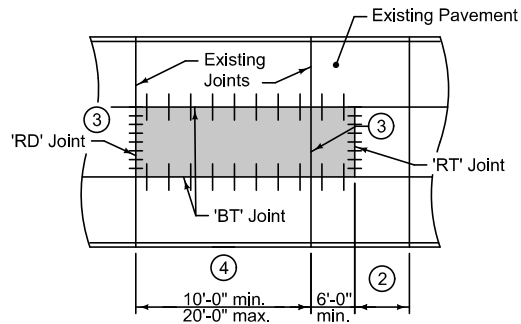


**FULL ROADWAY WIDTH PATCH**

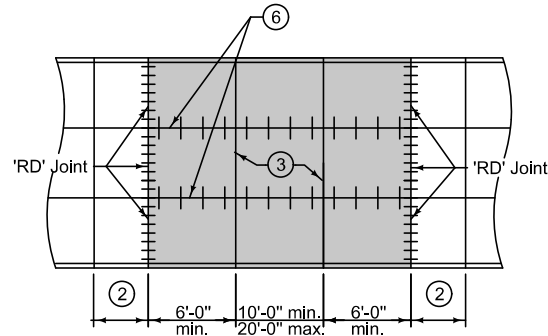
**THIRD POINT JOINTING ①**



**OUTSIDE PANEL PATCH**



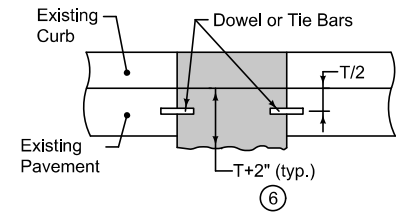
**CENTER PANEL PATCH**




**FULL ROADWAY WIDTH PATCH**

- ① Patches on roadways with quarter point jointing will be similar to third point jointing details.
- ② Minimum distance between existing joint and patch is 6 feet. If distance is less than 6 feet, extend patch to existing joint.
- ③ Match existing joint type and locations. If specified, replace existing 'C' joints with 'CD' joints.
- ④ If existing joint spacing is greater than 20 feet, add a 'CT' joint at mid-panel.
- ⑤ If subgrade or subbase material is required below patch, bring material to a level 2 inches below bottom of existing pavement.
- ⑥ BT, KT, or L joint depending on pavement thickness and pouring sequence

**LONGITUDINAL SECTION THRU PCC PATCH**



	REVISION 5   2022 Edition
	<b>SUDAS</b> <b>7040.102</b>
	SHEET 1 of 1
SUDAS Standard Specifications	
<b>FULL DEPTH PATCHES                  GREATER THAN 15' LONG</b>	