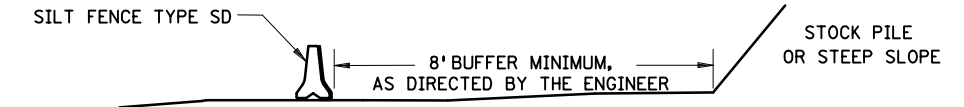
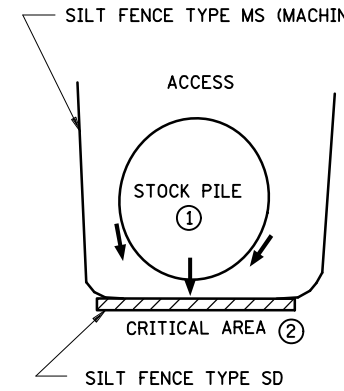
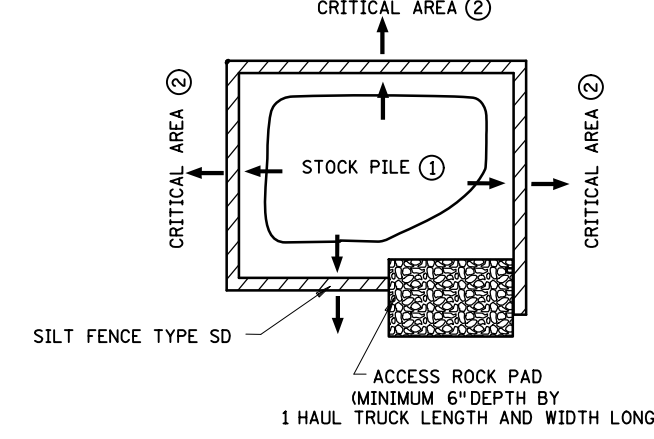
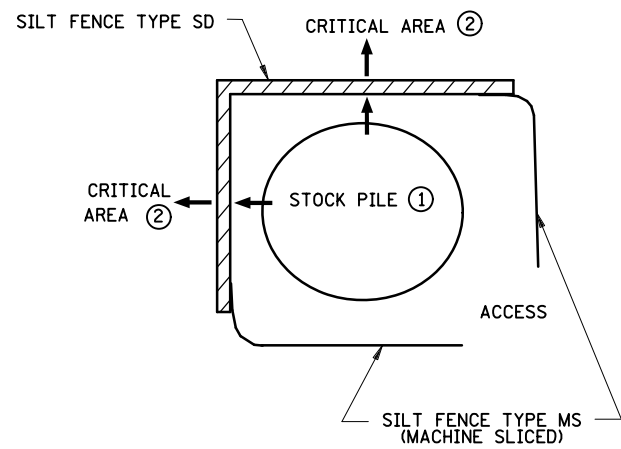


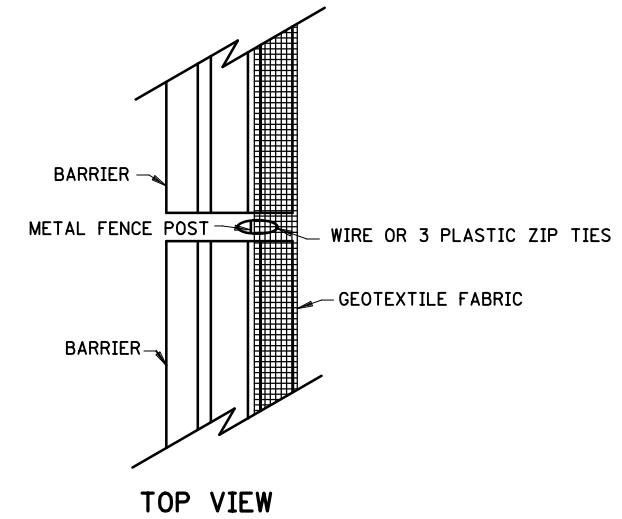
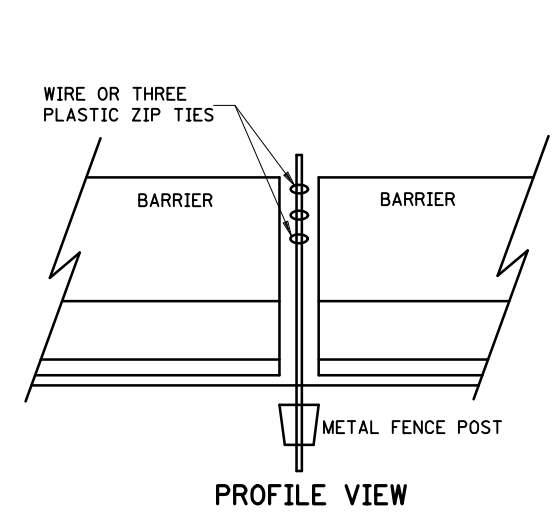
PLOTTED/REVISED: 4-APR-2018

I/PLOT NAME: s405_T_sprn
 PATH & FILENAME: OTS\DesignStandards\Development\New Border\400_Series\s405_T_sprndgn



STOCK PILE CONTAINMENT

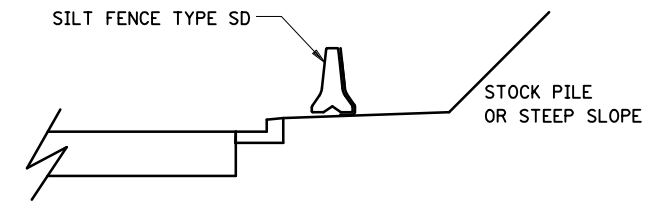
STOCKPILE SEDIMENT CONTROL



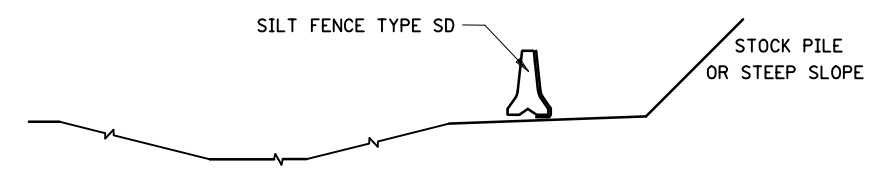
PROFILE VIEW

TOP VIEW

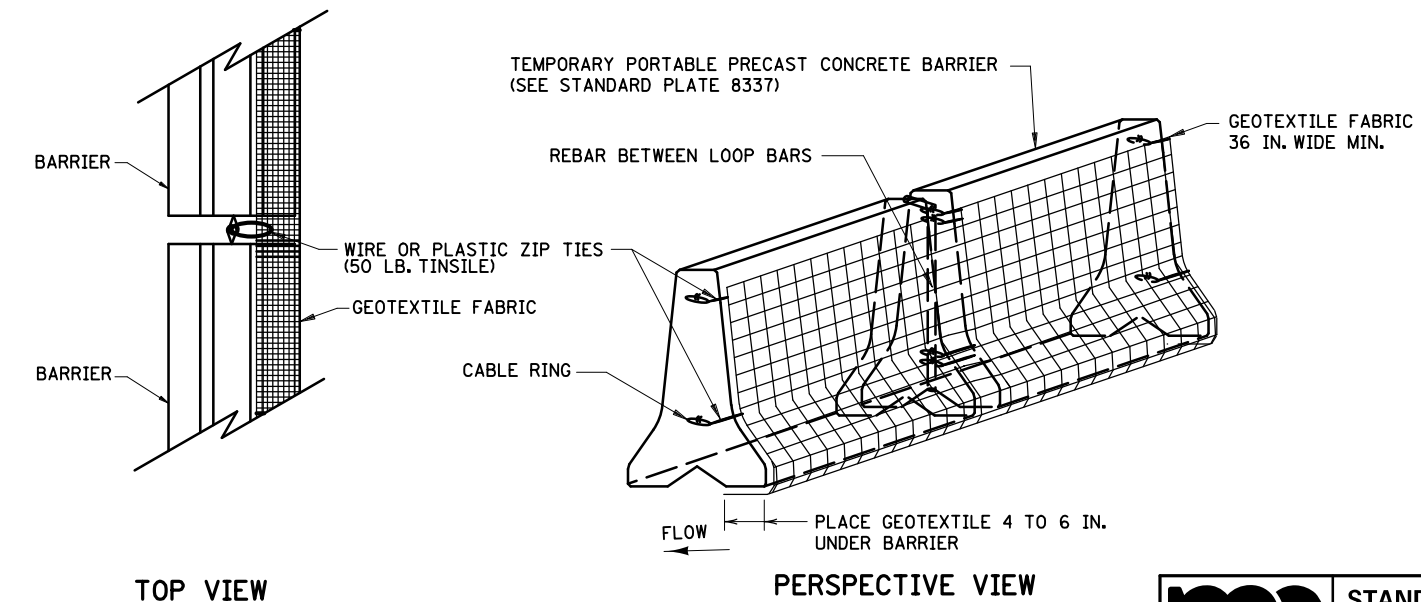
SILT FENCE TYPE SD (SUPER DUTY) BARRIER WITHOUT LOOP BARS



CURB AND GUTTER PROTECTION SYSTEM



DITCH PROTECTION SYSTEM



TOP VIEW

PERSPECTIVE VIEW

SILT FENCE TYPE SD (SUPER DUTY) BARRIER WITH LOOP BARS

NOTES:

- SEE SPECS. 2533, 2573 & 3886.
- SILT FENCE TYPE SD USED TO PROTECT CRITICAL AREAS FROM SHEET FLOW, AND AREAS WHERE OTHER SILT FENCES CANNOT BE PLACED. MAXIMUM CONTRIBUTING AREA: 1 ACRE.
- PLACE SILT FENCE TYPE SD ALONG A CONSTANT ELEVATION.
- SILT FENCE TYPE SD CAN UTILIZE EITHER A CONCRETE, OR WATER FILLED, TEMPORARY MEDIAN BARRIER.
- ① PLACING STOCK PILES NEXT TO AN ENVIRONMENTALLY SENSITIVE AREA IS NOT RECOMMENDED. WHEN THERE ARE NO FEASIBLE ALTERNATIVES, PLACE SILT FENCE SD AS SHOWN OR AS DIRECTED BY THE ENGINEER.
- ② CRITICAL AREAS INCLUDE WETLANDS, JUDICIAL DITCHES, STREAMS, WATER BODIES, AND OTHER AREAS REQUIRING PROTECTION.

REVISION:
APPROVED: 2-28-2017
<i>[Signature]</i> CHIEF ENVIRONMENTAL OFFICER

	STANDARD PLAN 5-297.405	7 OF 8	TEMPORARY SEDIMENT CONTROL SUPER DUTY SILT FENCE		
		APPROVED: 2-28-2017 REVISED:			