

## SUDAS Revision Submittal Form

**Status Date:** As of 11/5/2021      **Topic:** Jointing for PCC patches  
**Manual:** Specifications      **Manual Location:** Figure 7040.102

---

**Requested Revision:** See attached figure.

**Reason for Revision:** Clarified the type of joint to use.

**Comments:** None.

---

**District:**       1     2     3     4     5     6    **October 2021 Webinars**

**Comments:** District 5 - in new note 3, add a return before the second sentence so it starts on the next line, just to eliminate any errors of reading. *Note - done.*

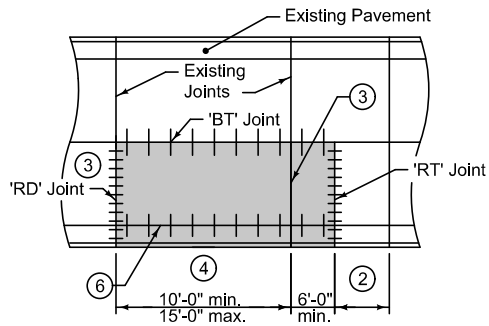
**Action:**       Deferred                       Not Approved               Approved

---

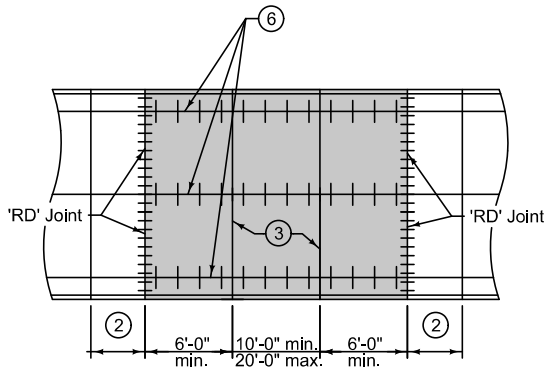
**Final District Action Summary:** All districts approved.

**Board of Directors Action:** Approved.

**GUTTERLINE JOINTING**

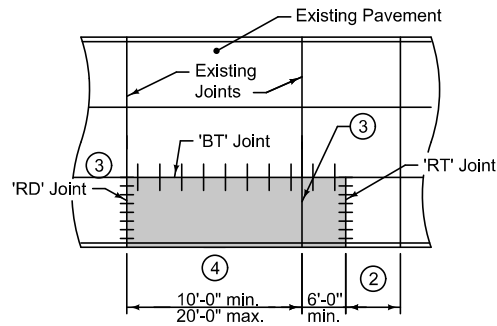


**ONE PANEL WIDTH PATCH**

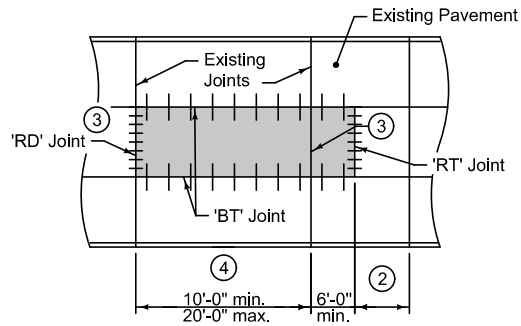


**FULL ROADWAY WIDTH PATCH**

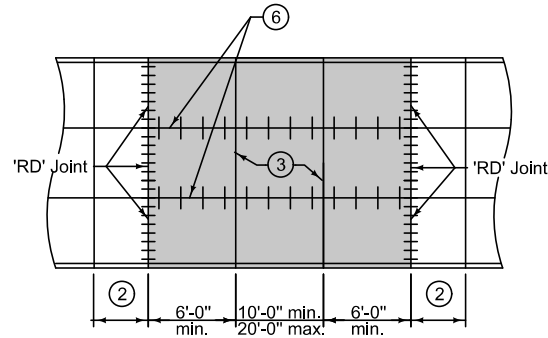
**THIRD POINT JOINTING ①**



**OUTSIDE PANEL PATCH**



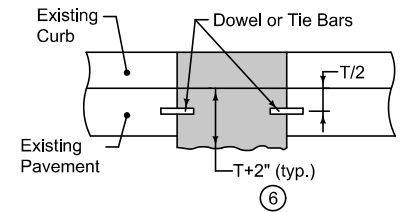
**CENTER PANEL PATCH**



**FULL ROADWAY WIDTH PATCH**

- ① Patches on roadways with quarter point jointing will be similar to third point jointing details.
- ② Minimum distance between existing joint and patch is 6 feet. If distance is less than 6 feet, extend patch to existing joint.
- ③ Match existing joint type and locations. If specified, replace existing 'C' joints with 'CD' joints.
- ④ If existing joint spacing is greater than 20 feet, add a 'CT' joint at mid-panel.
- ⑤ If subgrade or subbase material is required below patch, bring material to a level 2 inches below bottom of existing pavement.
- ⑥ BT, KT, or L joint depending on pavement thickness and pouring sequence

**LONGITUDINAL SECTION THRU PCC PATCH**



	REVISION 5   2022 Edition
	<b>SUDAS 7040.102</b>
	SHEET 1 of 1

SUDAS Standard Specifications

**FULL DEPTH PATCHES  
GREATER THAN 15' LONG**