

SUDAS Revision Submittal Form

Status Date: As of 5/18/2023 **Topic:** Chain link fence
Manual: Specifications **Manual Location:** Section 9060, 1.08, A

Requested Revision:

1.08 MEASUREMENT AND PAYMENT

A. Chain Link Fence:

1. Residential:

- a. Measurement:** Measurement will be in linear feet for each type and height of fence, measured along the bottom of the fence fabric, excluding the length of gates.
- b. Payment:** Payment will be at the unit price per linear foot for each type and height of fence installed.
- c. Includes:** Unit price includes, but is not limited to, posts, fabric, rails, fittings, ties, PVC coating (if specified in the contract documents), excavation of post holes, and concrete encasement of posts.

2. Commercial:

- a. Measurement:** Measurement will be in linear feet for each type and height of fence, measured along the bottom of the fence fabric, excluding the length of gates.
- b. Payment:** Payment will be at the unit price per linear foot for each type and height of fence installed.
- c. Includes:** Unit price includes, but is not limited to, posts, fabric, rails, braces, truss rods, ties, tension wire, tension bands, tension bars, grounds, fittings, PVC coating (if specified in the contract documents), excavation of post holes, and concrete encasement of posts.

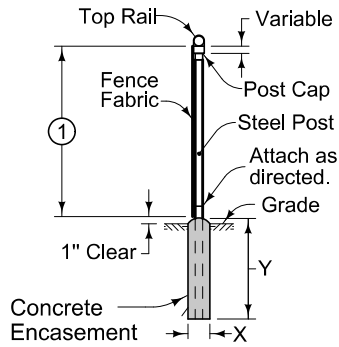
Reason for Revision: Added an option for residential chain link fence bid item.

Comments: None.

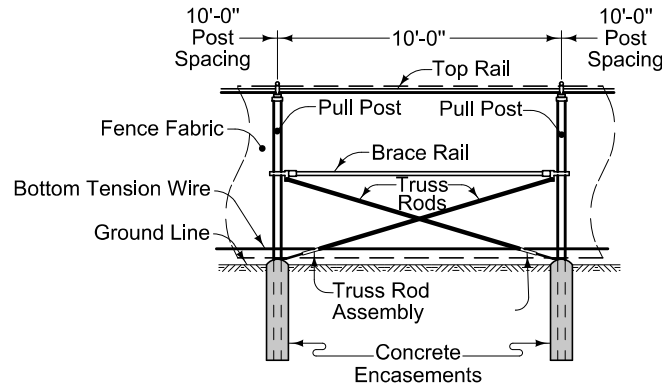
District:	<input type="checkbox"/> 1	<input type="checkbox"/> 2	<input type="checkbox"/> 3	<input checked="" type="checkbox"/> 4	<input type="checkbox"/> 5	<input type="checkbox"/> 6
Comments:	None.					
Action:	<input type="checkbox"/> Deferred		<input type="checkbox"/> Not Approved		<input checked="" type="checkbox"/> Approved	
District:	<input type="checkbox"/> 1	<input type="checkbox"/> 2	<input checked="" type="checkbox"/> 3	<input type="checkbox"/> 4	<input type="checkbox"/> 5	<input type="checkbox"/> 6
Comments:	None.					
Action:	<input type="checkbox"/> Deferred		<input type="checkbox"/> Not Approved		<input checked="" type="checkbox"/> Approved	
District:	<input checked="" type="checkbox"/> 1	<input type="checkbox"/> 2	<input type="checkbox"/> 3	<input type="checkbox"/> 4	<input type="checkbox"/> 5	<input type="checkbox"/> 6
Comments:	Add residential gates? <i>Note - gates are the same for residential and commercial and are a separate bid item.</i>					
Action:	<input type="checkbox"/> Deferred		<input type="checkbox"/> Not Approved		<input checked="" type="checkbox"/> Approved	
District:	<input type="checkbox"/> 1	<input checked="" type="checkbox"/> 2	<input type="checkbox"/> 3	<input type="checkbox"/> 4	<input type="checkbox"/> 5	<input type="checkbox"/> 6
Comments:	Residential fencing is usually a smaller gauge. <i>Note - residential and commercial fabric is the same gauge.</i>					
Action:	<input type="checkbox"/> Deferred		<input type="checkbox"/> Not Approved		<input checked="" type="checkbox"/> Approved	
District:	<input type="checkbox"/> 1	<input type="checkbox"/> 2	<input type="checkbox"/> 3	<input type="checkbox"/> 4	<input type="checkbox"/> 5	<input checked="" type="checkbox"/> 6
Comments:	None.					
Action:	<input type="checkbox"/> Deferred		<input type="checkbox"/> Not Approved		<input checked="" type="checkbox"/> Approved	
District:	<input type="checkbox"/> 1	<input type="checkbox"/> 2	<input type="checkbox"/> 3	<input type="checkbox"/> 4	<input checked="" type="checkbox"/> 5	<input type="checkbox"/> 6
Comments:	None.					
Action:	<input type="checkbox"/> Deferred		<input type="checkbox"/> Not Approved		<input checked="" type="checkbox"/> Approved	

Final District Action Summary: All 6 districts approved; see comments above.

Board of Directors Action: Clarify the elements that are not included in the residential chain link fence, in both the execution and the figure. Approved with those changes. *Note - no changes needed in execution; updated Figure 9060.101 with a note detailing what items are not included for residential chain link fence.*



POST INSTALLATION

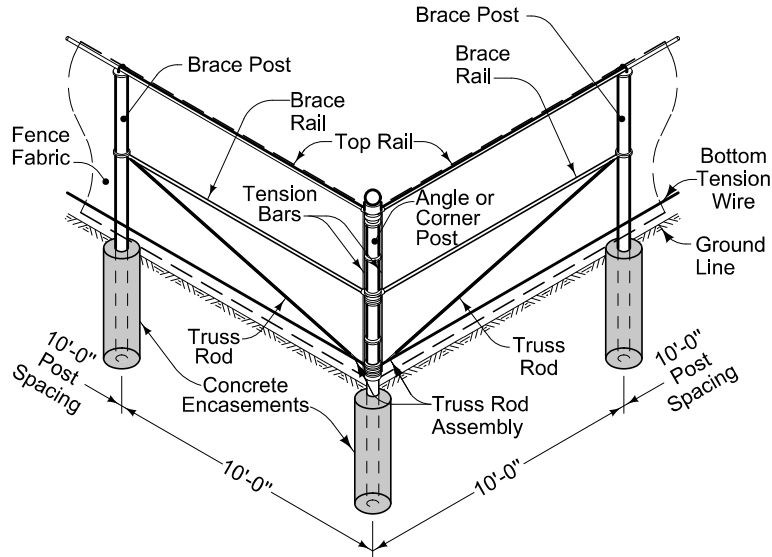


PULL POST INSTALLATION

Place fence fabric on roadway side of post. For certain curves, stream crossings, or other locations, the Contractor has the option to place fabric on the side of the post away from the roadway.

Residential chain link fence does not include braces, truss rod assembly, tension wire, tension bar, tension band, or grounds

- ① Fabric width as specified in the contract documents.
- ② For fence heights greater than 8 feet, the depth of the fence post footing is 3 feet plus 3 inches for each 1 foot in height over 8 feet.
- ③ Install the fence on the roadway side of the right-of-way when specified in the contract documents.

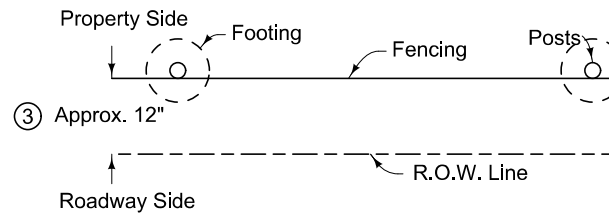


ANGLE OR CORNER POST INSTALLATION

FENCE POST FOOTING DEPTH AND DIAMETER

USE IN FENCE	FENCE HEIGHT					
	4'-0" and less		Over 4'-0" to 8'-0"		Over 8'-0"	
	X	Y	X	Y	X	Y
Line and Brace Posts	0'-8"	3'-0"	0'-10"	3'-0"	1'-0"	②
Terminal Post*	0'-10"	3'-0"	1'-0"	3'-0"	1'-4"	②

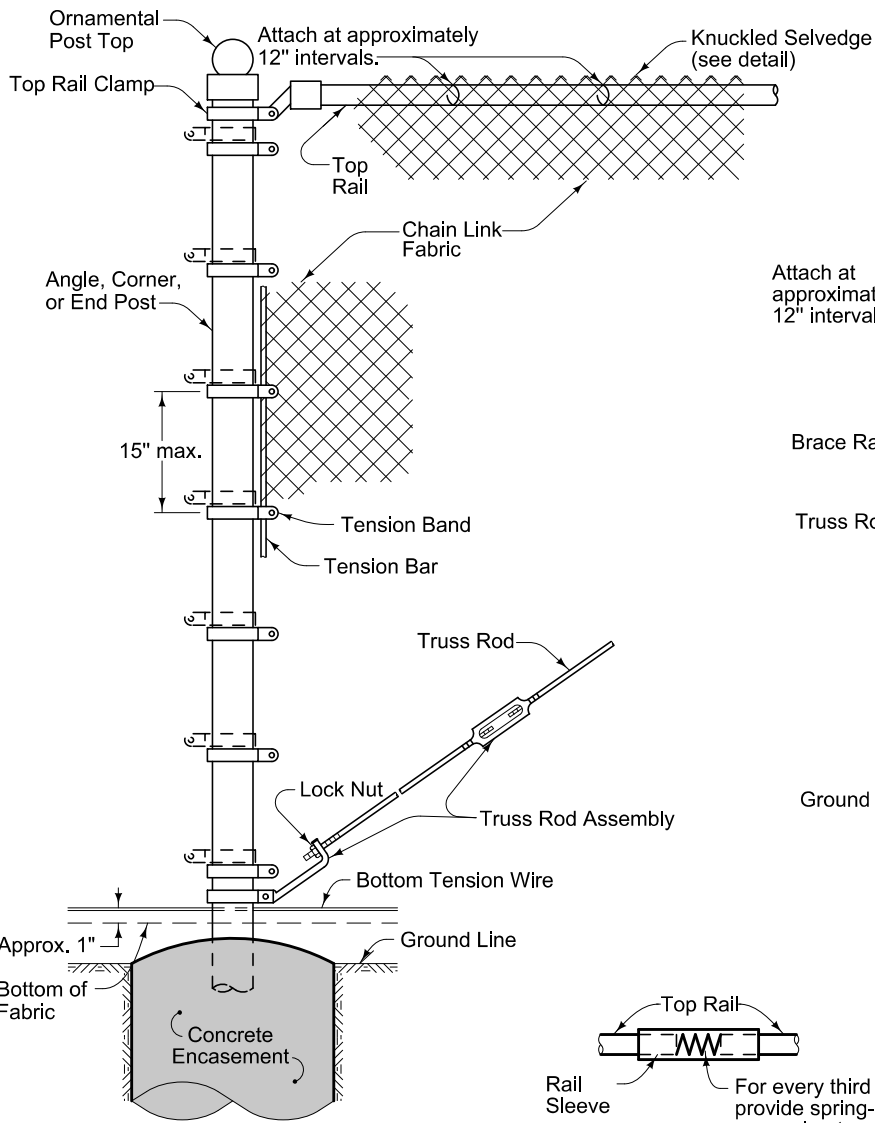
*Includes corner, angle, end, and pull posts.



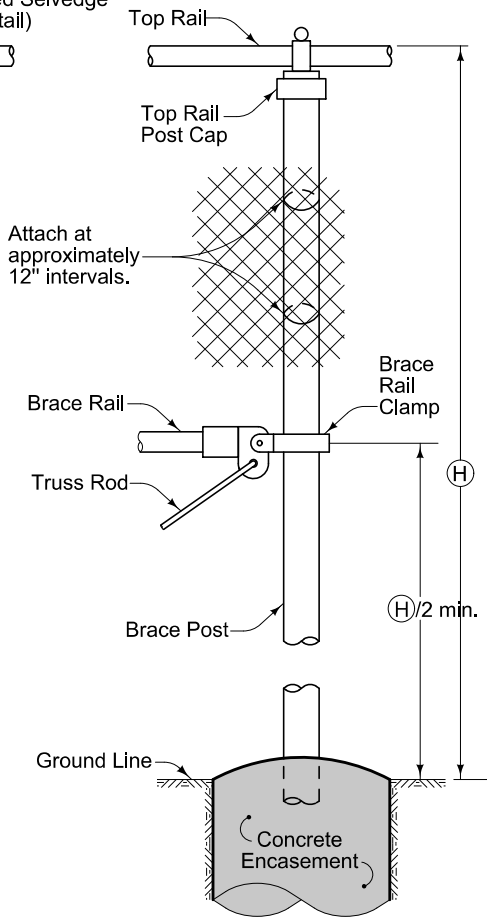
PLAN OF FENCE

	REVISION
	1 2024
	9060.101
SUDAS Standard Specifications	
CHAIN LINK FENCE	

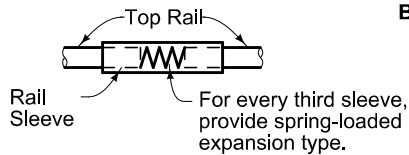
SHEET 1 of 2



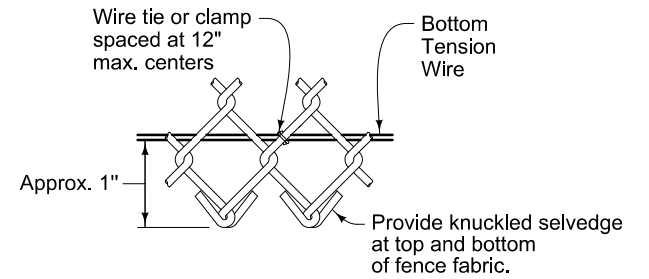
ANGLE, CORNER, OR END POST ASSEMBLY



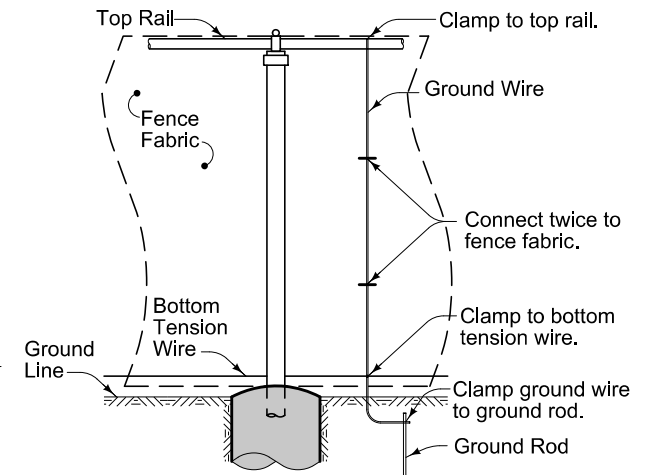
BRACE POST ASSEMBLY



RAIL SLEEVE



BOTTOM TENSION WIRE AND KNUCKLED SELVEDGE



GROUND ROD INSTALLATION

FIGURE 9060.101 SHEET 2 OF 2

	REVISION	1	2024
	SUDAS 9060.101		
	SHEET 2 of 2		

SUDAS Standard Specifications

CHAIN LINK FENCE